



GEZE SEMI-CIRCULAR AND CIRCULAR SLIDING DOOR SYSTEMS  
INNOVATIVE TAILOR-MADE ENTRANCE SOLUTIONS



**TABLE OF CONTENTS**

Foreword: GEZE special constructions for semi-circular and circular sliding door systems	<b>4</b>
Overview table	<b>5</b>
General product features for SC/SC-FR and SCR/SCR-FR	<b>6</b>
Overview of basic designs and special variants	<b>7</b>
GEZE Slimdrive SC	<b>9</b>
GEZE Slimdrive SCR	<b>12</b>
GEZE Slimdrive SC/SCR GGS	<b>14</b>
GEZE Slimdrive SC/SC-FR RC2	<b>16</b>
<b>Accessories</b>	
Operation	<b>18</b>
Securing	<b>19</b>
Locking	<b>20</b>
Service tools	<b>21</b>
<b>Installation drawings SC/SCR</b>	<b>22</b>
<b>Cable plan</b>	<b>26</b>
References	<b>27</b>

## GEZE special constructions for semi-circular and circular sliding door systems

### Innovative tailor-made entrance solutions

The entrance area of a building reveals a building's character. For tailor-made entrance solutions, GEZE has an internal specialised company sector: **GEZE Sonderkonstruktionen GmbH** (GEZE special constructions). Representative buildings all over the world are equipped with representative entrance solutions from GEZE Sonderkonstruktionen. Applications in different areas reflect our many years of experience.

Semi-circular and circular sliding doors create more space and light. This range is characterised by ease of operation, a wide range of design options and straightforward installation.

#### The advantages at a glance

- Individual planning and production for every building
- TÜV type-tested in accordance with DIN 18650 in all versions
- Low drive height of 7 cm permits large passage heights and conveys an elegant appearance
- The high level of light creates bright, friendly entrance areas
- Emphasis on transparency with the glass roof variant
- High-quality materials and state-of-the-art control technology guarantee high efficiency
- Semi-circular and circular sliding doors create up to 40 % more opening width compared with linear sliding doors
- Just perfect for glass façades with slim post-rail-constructions
- Central suspension of the moving leaves guarantees very quiet running and a long service life
- FR variant for use in escape and rescue routes according to AutSchR
- Simple operation and adjustment based on tried-and-tested sliding door technology

**Slimdrive SC:** drive for semi-circular sliding doors, can be used as a vestibule in combination with linear sliding doors

**Slimdrive SCR:** the 360° drive solution for circular sliding doors

**SC-FR and SCR-FR:** approved for use in escape and rescue routes, type-tested in accordance with DIN 18650 and certified

**Slimdrive SC/SCR GGS:** version of the automated all-glass curved sliding doors with the all-glass fitting system GGS and glass roof

**Slimdrive SC RC 2 and SC-FR RC 2:** the burglar-resistant semi-circular and circular sliding door system with fine-framed fitting system

#### DIN 18650

The industrial standard DIN 18650 was created to be able to guarantee operators and users of automatic doors optimum safety. GEZE semi-circular and circular sliding door systems have been type-tested in accordance with DIN 18650 and certified.



CGG Drenova Cemetery, Rijeka, Croatia (Photo: Robert Les)

## Overview table of automatic semi-circular and circular sliding door systems

## Technical data

Product features	SC	SC-FR	SCR	SCR-FR
For escape and rescue routes	-	•	-	•
Barrier-free	•	•	•	•
Adjustable opening speed	•	•	•	•
Adjustable closing speed	•	•	•	•
Opening width 2-leaf	800 – 3000 mm		800 – 2300 mm	
Clear passage height*	3000 mm			
Canopy height (min.)	70 mm			
Leaf weight (max.) 1-leaf	100 kg			
Leaf weight (max.) 2-leaf	120 kg			
Radius (min.)	1000 mm			
Radius (max.)	2000 mm			
Moving leaf version	10 mm VSG, 10 mm ESG-H with GGS fitting system (GGS variant), special glass on request			
Side elements version	10 mm VSG, 22 mm panel lining, 34 mm smooth-surface panel, VSG 12 mm without frame (GGS variant), special glass on request			
Surfaces	Powder-coated according to RAL, anodised light alloy E6/EV1, colour anodised according to sample, coated with polished stainless steel, coated with grit 240 stainless steel, special coating on request			
Version of roof structure	Optical sheet metal covering, waterproof roof with waterspout, glass roof			
Illumination	with roof variant, not possible with glass roof		according to customer wishes, not possible with glass roof	
Floor covering	Scraper mat, floor mat according to customer wishes			
Hot-air curtain system	possible, depends on the ceiling construction		integrated in the suspended ceiling	
Off-centre façade connection	•	•	•	•
Special functions on request	•	•	•	•
Operation	Display programme switch DPS, display programme switch MPS, display programme switch TPS, display programme switch integrated in the drive, PC, control, control unit			
Approvals	DIN 18650, EN 16005			

- = YES
- = NOT AVAILABLE
- \* = HIGHER ON REQUEST

## General product features for SC/SC-FR and SCR/SCR-FR

### System description

- Door profiles and running rail made of aluminium or with wood panelling
- Continuous floor guide made of stainless steel
- System can be designed convex (running inside) and concave (running outside)
- Individual solutions for side and upper connections to concrete, masonry, steel structure, glass structure as well as post-rail structure
- Large choice of surface finishes available
- System and moving leaf can be equipped fine-framed with GEZE profile systems or with the GEZE GGS fitting system
- There are numerous equipment versions for the design of the side elements and ceiling structure

### Version of FR variants suitable for use in escape and rescue routes

- Duplicate processing system thanks to 2-motor technology/rechargeable battery with a redundant control
- Programme switch is lockable: The programme switch may only be operated by authorised persons. For this reason, a key-operated switch is essential. The mode of operation selected must be able to be recognised clearly.
- Self-monitoring movement detector (redundancy): Function must be continually monitored. If a fault is diagnosed, the door moves to the open position (repairs necessary).
- Note on the locking of escape and rescue route doors (operation mode „night“): Automatic sliding doors for use in escape and rescue routes may be locked providing there are no escape and rescue route requirements made on them during this defined time period. This is usually the case when there is no-one in the building or if a different escape route is signposted for these people.

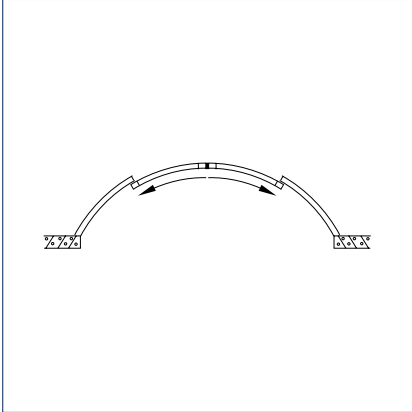
### Description of the control with functions

- Fully digital control with high-power micro-processor
- All system settings and display of function, error and maintenance parameters are possible via GEZE display programme switch
- Operating modes: automatic, permanently open, shop closing (one-way), night
- Reduced opening width with variable adjustment in learning mode, with the FR-version taking the minimum escape route width into consideration. This depends on the number of persons who will have to use this exit and is at least one metre from 5 people onwards.
- Different hold-open times during summer operation, winter operation and key activation
- Display of statistical data as well as display of faults via programme switch (number of opening movements, service interval display)
- Self-learning door control
- Hold-open time can be adapted automatically to volumes of people (can be activated)
- Connection to fire alarm system
- Electromechanical locking with optional status contact for alarm systems
- Opening and closing speed can be adjusted individually
- Fault display for safety sensor and radar movement detector
- Controls with special function on request

## Overview of basic designs and special variants

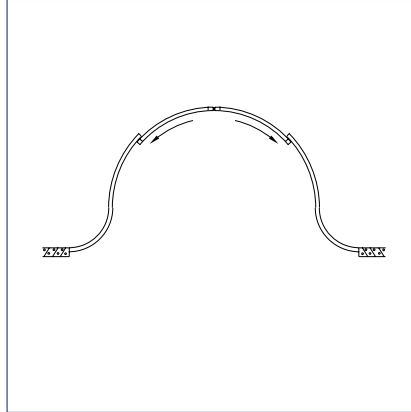
## Semi-circular sliding doors GEZE Slimdrive SC

Basic design



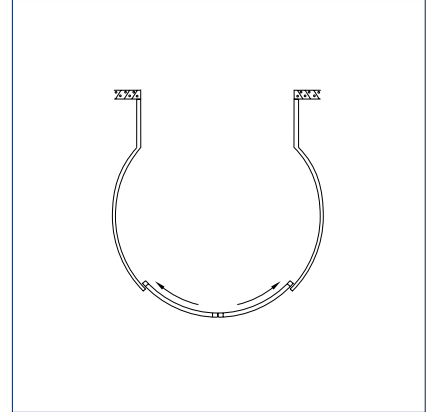
Double or multi-leaf semi-circular sliding door, can be combined as required

Special variant



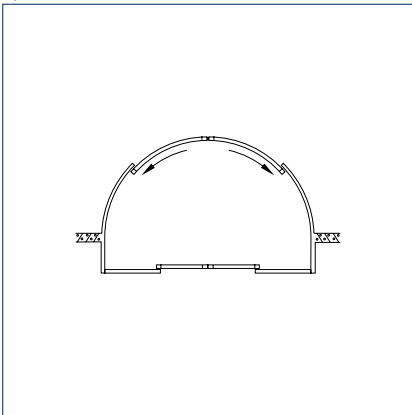
Reverse curve

Special variant



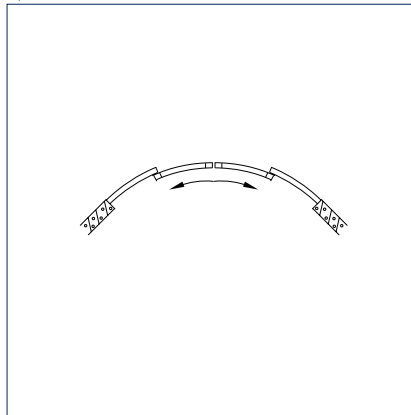
Set semi-circular

Special variant



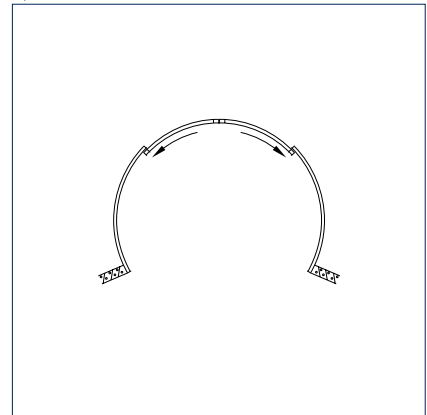
Vestibule 180° double-leaf semi-circular sliding door combined with linear sliding door

Special variant



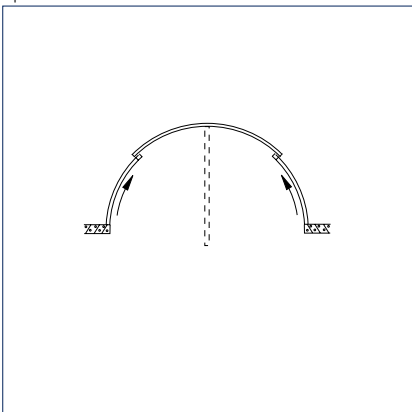
Corner door 90° maximum opening width with optimum use of space

Special variant



Corner door 270° double-leaf centrally opening or single-leaf outward opening

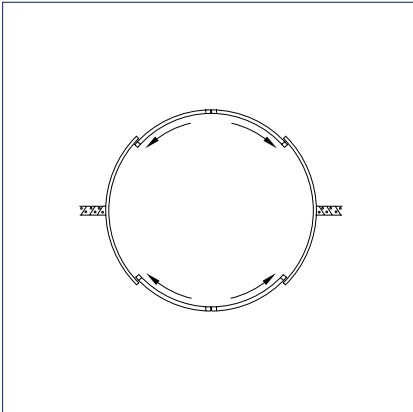
Special variant



Double entrance for separate entrance and exit

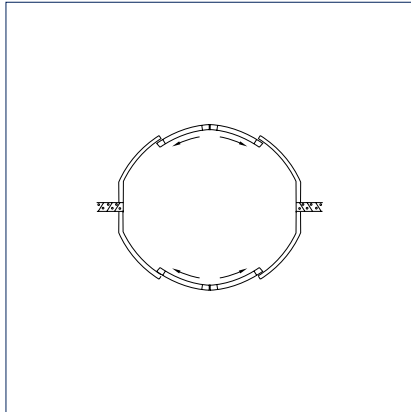
## Circular sliding doors GEZE Slimdrive SCR

Basic design



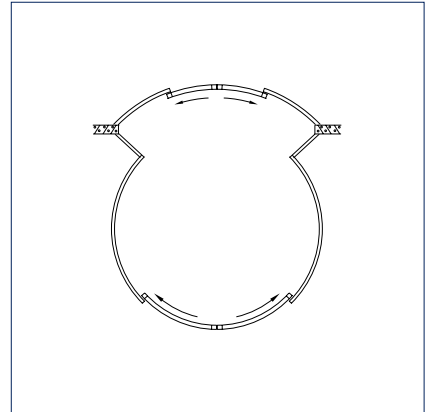
Vestibule 360° two double-leaf semi-circular sliding doors, each 180°, with separate drives

Special variant



Extended to an oval, vestibule

Special variant



Enlarged vestibule



Housing society Vieya, Dongen, Netherlands (Photo: Erwin Kamphuis)



## GEZE Slimdrive SC

### Drive system for automatic semi-circular sliding doors

The GEZE Slimdrive SC conceals a powerful drive system for semi-circular sliding doors in a unit only 7 cm high. The barrier-free drive blends in elegantly with post-rail-constructions and can be used in busy areas. Whether as a semi-circular sliding door with a minimum radius of 1000 mm, as a curved sliding door with large radii or in combination with a linear sliding door as a vestibule: GEZE Slimdrive SC provides a huge range of design options and meets maximum function and design requirements. Opening widths of max. 3000 mm can be achieved for double-leaf doors with the Slimdrive SC. It moves leaf weights of up to a maximum of 120 kg. In the Slimdrive version SC-FR, the semi-circular sliding door can also be used in escape and rescue routes (FR).

### Special versions

Slimdrive SC GGS / SC-FR GGS - variant with automatic all-glass curved sliding doors with all-glass fitting system GGS and glass roof  
Slimdrive SC RC 2 / SC-FR RC 2 - burglar-resistant variant in accordance with resistance class 2

## SC



Belgian SkyShop Brussels International Airport, Brussels, Belgium (Photo: Erwin Kamphuis)

### Application range

- Representative business premises
- Hotels and restaurants
- Hospitals
- Homes for the elderly and care homes
- Airports and railway stations
- Trade fairs, exhibitions and car showrooms
- Vestibule systems
- Suitable for new buildings, conversions and refurbishment thanks to the low overall height

## Technical data

Product features	SC	SC-FR
For escape and rescue routes	-	•
Barrier-free	•	•
Adjustable opening speed)	•	•
Adjustable closing speed	•	•
Opening width 2-leaf	800 – 3000 mm	
Clear passage height*	3000 mm	
Canopy height (min.)	70 mm	
Leaf weight (max.) 1-leaf	100 kg	
Leaf weight (max.) 2-leaf	120 kg	
Radius (min.)	1000 mm	
Moving leaf version	10 mm VSG, 10 mm ESG-H with GGS fitting system (GGS variant), special glass on request	
Side elements version	10 mm VSG, 22 mm panel lining, 34 mm smooth-surface panel, VSG 12 mm without frame (GGS variant), special glass on request	
Surfaces	Powder-coated according to RAL, anodised light alloy E6/EV1, colour anodised according to sample, coated with polished stainless steel, coated with grit 240 stainless steel, special coating on request	
Version of roof structure	Optical sheet metal covering, waterproof roof with waterspout, glass roof	
Illumination	with roof variant, not possible with glass roof	
Floor covering	Scrapper mat, floor mat according to customer wishes	
Hot-air curtain system	possible, depends on the ceiling construction	
Off-centre façade connection	•	•
Special functions on request	•	•
Operation	Display programme switch DPS, display programme switch MPS, display programme switch TPS, display programme switch integrated in the drive, PC, control, control unit	
Approvals	DIN 18650, EN 16005	

- = YES
- = NOT AVAILABLE
- \* = HIGHER ON REQUEST

Semi-circular and full-circular version											
Nominal radius (mm)	1000	1100	1200	1300	1400	1500	1600	1700	1800	1900	2000
System angle	180°										
Passage angle	80°										
System width (mm)	2000	2200	2400	2600	2800	3000	3200	3400	3600	3800	4000
Clear passage width (mm)	1144	1273	1401	1530	1658	1787	1916	2044	2173	on request	on request
Curve length (mm)	3142	3456	3770	4084	4398	4712	5027	5341	5655	5969	6283

**Standard dimensions**

Curve length BL = max. 5500 mm

Passage width LW = 1000 mm - 2300 mm

Approximate calculation of the curve length

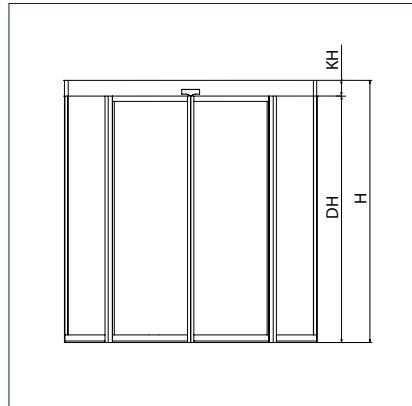
$$\textcircled{A} \quad BL = r \times \frac{y \cdot \pi}{180}$$

$$\textcircled{B} \quad BL = \sqrt{B^2 + \frac{16}{3} \times T^2}$$

A = With radius r and angle y given

B = With overall depth T and system width B given

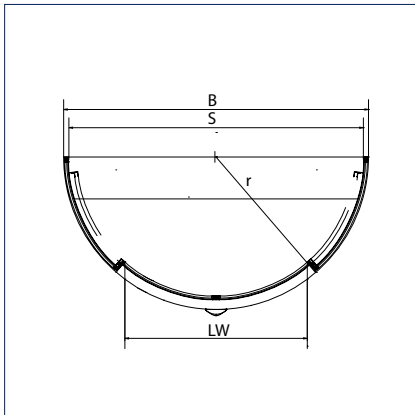
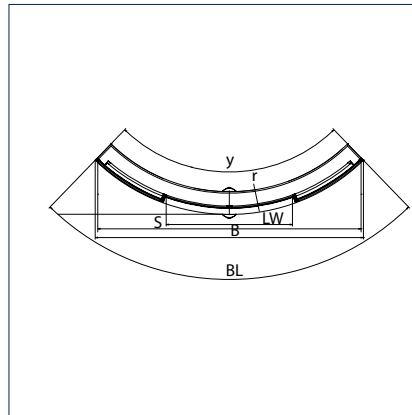
Vertical section



DH = Passage height

H = System height

KH = Canopy height

**Horizontal sections**B = System width  
LW = Passage width  
r = Nominal radius  
S = Inner widthB = System width  
BL = Curve length  
LW = Passage width  
r = Nominal radius  
S = Inner width

## GEZE Slimdrive SCR

### Drive system for automatic circular sliding doors

The drive series GEZE Slimdrive SCR is the 360° drive solution for circular sliding doors. The drives of the two doors form one unit but are controlled separately. This drive for circular sliding doors can be integrated almost invisibly into the façade thanks to the extremely low overall height of only 7 cm. The state-of-the-art drive „disappears“ – leaving room for transparency and aesthetics. The SL SCR is barrier-free and just perfect for use in glass façades with a slim post-rail-construction. High-quality materials and state-of-the-art control technology ensure high efficiency. Opening widths of max. 2300 mm can be achieved for double-leaf doors with the Slimdrive SCR. It moves leaf weights of up to a maximum of 120 kg. In the Slimdrive version SCR-FR, the circular sliding door can also be used in escape and rescue routes (FR).

### Special versions

Slimdrive SC RC 2 / SC-FR RC 2 - burglar-resistant variant in accordance with resistance class 2

### SCR



SGL Carbon, Meitingen, Germany (Photo: Dirk Wilhelmy)

### Application range

- Representative business premises
- Hotels and restaurants
- Hospitals
- Homes for the elderly and care homes
- Airports and railway stations
- Trade fairs, exhibitions and car showrooms
- Vestibule systems
- Suitable for new buildings, conversions and refurbishment thanks to the low overall height

## Technical data

Product features	SCR	SCR-FR
For escape and rescue routes	-	•
Barrier-free	•	•
Adjustable opening speed (ventilation)	•	•
Adjustable closing speed	•	•
Opening width 2-leaf	800 – 2300 mm	
Clear passage height*	3000 mm	
Canopy height (min.)	70 mm	
Leaf weight (max.) 1-leaf	100 kg	
Leaf weight (max.) 2-leaf	120 kg	
Radius (min.)	1000 mm	
Radius (max.)	2000 mm	
Moving leaf version	10 mm VSG, 10 mm ESG-H with GGS fitting system (GGS variant), special glass on request	
Side elements version	10 mm VSG, 22 mm panel lining, 34 mm smooth-surface panel, VSG 12 mm without frame (GGS variant), special glass on request	
Surfaces	Powder-coated according to RAL, anodised light alloy E6/EV1, colour anodised according to sample, coated with polished stainless steel, coated with grit 240 stainless steel, special coating on request	
Version of roof structure	Optical sheet metal covering, waterproof roof with waterspout, glass roof	
Illumination	according to customer wishes, not possible with glass roof	
Floor covering	Scraper mat, floor mat according to customer wishes	
Hot-air curtain system	integrated in the suspended ceiling	
Off-centre façade connection	•	•
Special functions on request	•	•
Operation	Display programme switch DPS, display programme switch MPS, display programme switch TPS, display programme switch integrated in the drive, PC, control, control unit	
Approvals	DIN 18650, EN 16005	

- = YES
- = NOT AVAILABLE
- \* = HIGHER ON REQUEST

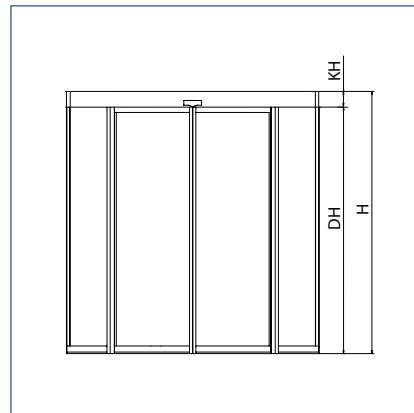
## Approximate calculation of the curve length

(A) 
$$BL = r \times \frac{y \cdot \pi}{180}$$

(B) 
$$BL = \sqrt{B^2 + \frac{16}{3} \times T^2}$$

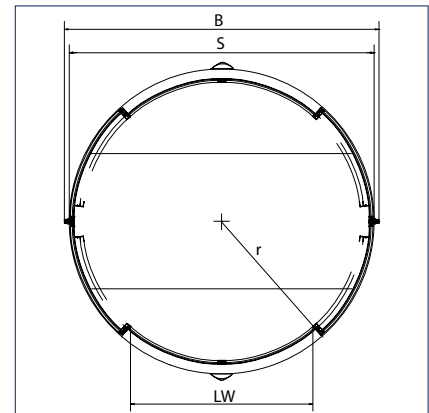
- A = With radius r and angle y given  
B = With overall depth T and system width B given

## Vertical section



- DH = Passage height  
H = System height  
KH = Canopy height

## Horizontal section



- B = System width  
LW = Passage width  
r = Nominal radius  
S = Inner width

## GEZE Slimdrive SC/SCR GGS

### Elegance and transparency without frames

The unpretentious and functional design of this stainless steel fitting opens up a wide range of individual application possibilities. The perfect design of curved sliding doors equipped with the GGS fitting system (GEZE all-glass system) is impressive. Maximum transparency is supported by the glass roof variant. The moving leaves are attached to the roller carriage using two single point fixings each and have been designed without frame. The floor guide is also attached to the glass with single point fixings. The side elements are made of curved laminated safety glass (VSG) and equipped with very slim profiles as edge protection. The SC/SCR GGS variant also allows a circular sliding door to be made from a combination of two semi-circular sliding doors. The minimum radius is 1250 mm, the maximum clear passage is 2500 mm and the maximum leaf weight 100 kg. Deviations from these dimensions can be realised on request. The FR variant is available for use in escape and rescue routes.



### Application range

- Representative business premises
- Hotels and restaurants
- Hospitals
- Homes for the elderly and care homes
- Airports and railway stations
- Trade fairs, exhibitions and car showrooms
- Vestibule systems
- Suitable for new buildings, conversions and refurbishment thanks to the low overall height

## Technical data

Product features				
	SC GGS	SC-FR GGS	SCR GGS	SCR-FR GGS
For escape and rescue routes	-	•	-	•
Barrier-free	•	•	•	•
Adjustable opening speed (ventilation)	•	•	•	•
Adjustable closing speed	•	•	•	•
Opening width 2-leaf	800 – 3000 mm		800 – 2300 mm	
Clear passage height*	2500 mm			
Canopy height (min.)	70 mm			
Leaf weight (max.) 1-leaf	100 kg			
Leaf weight (max.) 2-leaf	120 kg			
Radius (min.)	1000 mm		1250 mm	
Radius (max.)	2000 mm			
Moving leaf version	10 mm ESG-H with GGS fitting system (GGS variant), special glass on request			
Side elements version	VSG 12 mm without frame (GGS variant), special glass on request			
Surfaces	Powder-coated according to RAL, anodised light alloy E6/EV1, colour anodised according to sample, coated with polished stainless steel, coated with grit 240 stainless steel, special coating on request			
Version of roof structure	Optical sheet metal covering, waterproof roof with waterspout, glass roof			
Illumination	with roof variant, not possible with glass roof			
Floor covering	Scraper mat			
Hot-air curtain system	possible, depends on the ceiling construction			
Special functions on request	•	•	•	•
Operation	Display programme switch DPS, display programme switch MPS, display programme switch TPS, display programme switch integrated in the drive, PC, control, control unit			
Approvals	DIN 18650, EN 16005			

• = YES

- = NOT AVAILABLE

\* = HIGHER ON REQUEST

## GEZE Slimdrive SC/SC-FR RC 2

### The perfect combination of design and certified safety

The burglar-resistant semi-circular and circular sliding door system GEZE Slimdrive SC RC 2 and the escape and rescue route variant SC-FR RC 2 makes burglars' lives difficult. It was specially developed for building entrances with increased safety requirements. Both variants have been tested in accordance with component resistance class 2 (RC 2) in line with DIN EN 1627 to 1630. This means that they can withstand attempts to be levered open using tools of the RC 2 class such as screwdrivers, pliers and wedges, and can withstand static and dynamic loads. Opportunists are stopped effectively and security companies gain reaction time.

### SC/SC-FR RC 2



SGL, Carbon, Meitingen, Germany (Photo: Dirk Wilhelm)

### Application range

- Building entrances with enhanced safety requirements
- Banks
- Pharmacies
- Jewellers
- Petrol stations
- IT rooms



**Technical data**

<b>Product features</b>	<b>SC/SC-FR RC 2</b>
For escape and rescue routes	•
Barrier-free	•
Adjustable opening speed (ventilation)	•
Adjustable closing speed	•
Opening width 2-leaf	900 – 3000 mm
Clear passage height*	3000 mm
Canopy height (min.)	70 mm
Leaf weight (max.) 2-leaf	120 kg
Radius (min.)	1100 mm
Moving leaf version	10 mm VSG, special glass on request
Side elements version	10 mm VSG, special glass on request
Surfaces	Powder-coated according to RAL, anodised light alloy E6/EV1, colour anodised according to sample, coated with polished stainless steel, coated with grit 240 stainless steel, special coating on request
Version of roof structure	waterproof roof with waterspout
Illumination	with roof variant, not possible with glass roof
Floor covering	Scrapper mat, Floor mat according to customer wishes
Hot-air curtain system	possible, depends on the ceiling construction
Special functions on request	•
Operation	Display programme switch DPS, display programme switch MPS, display programme switch TPS, display programme switch integrated in the drive, PC, control, control unit
Approvals	DIN 18650, EN 16005

- = YES
- = NOT AVAILABLE
- \* = HIGHER ON REQUEST

**Note**

The burglar-resistant function RC 2 is only enabled in „NIGHT“ mode. In „NIGHT“ mode the door does not fulfil any emergency exit requirements. It is necessary to ensure that there is nobody in the building or that sufficient other emergency exits are available.

## Operating automatic sliding doors

### Programme switch for selecting the mode of operation of automatic sliding doors

GEZE offers programme switches for a wide range of individual requirements. The switches are suitable for universal use – for surface-mounted or flush-mounted installation. The following switches are available:

#### Display programme switch (DPS)

#### Key programme switch (TPS)

The following operating modes can be set:

##### “Permanently open”

The door moves to the OPEN position and remains open. Movement detector or opening button are deactivated.

##### “Night”

The motion detectors are switched to inactive, the door closes.

Option: The door leaves are locked electrically to prevent forced opening.

##### “Shop closing” (one-way)

The door only opens and closes when someone goes out from the inside.

The motion detector outside is switched to inactive, the one inside is switched to active.

##### “Automatic”

The door opens as soon as it is actuated via the movement detector or keys, and closes after a certain individually adjustable time. Safety sensors protect the leaves' travel path. If there is someone in the door opening, the door will not close.

##### “Reduced opening width”

The settings determined in teach mode are activated or deactivated.

##### “OFF” (only with TPS and MPS)

Drive and sensors are switched off, the door leaves can be moved manually.

##### Key push button

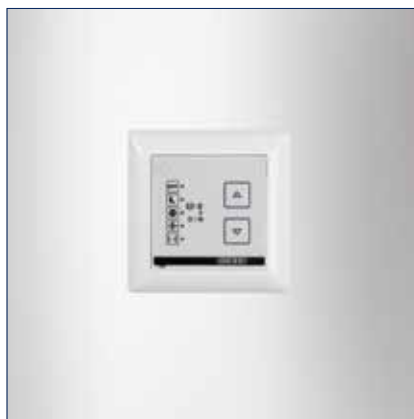
The programme switch can be disabled using a key push button.

### Securing the programme switches

Automatic sliding doors in escape and rescue routes must be secured against operation by unauthorised people. The display programme switch (DPS) and keypad programme switch (TPS) can be combined with a key push button. Alternatively, these programme switches can be secured using a code.



Display programme switch (DPS)

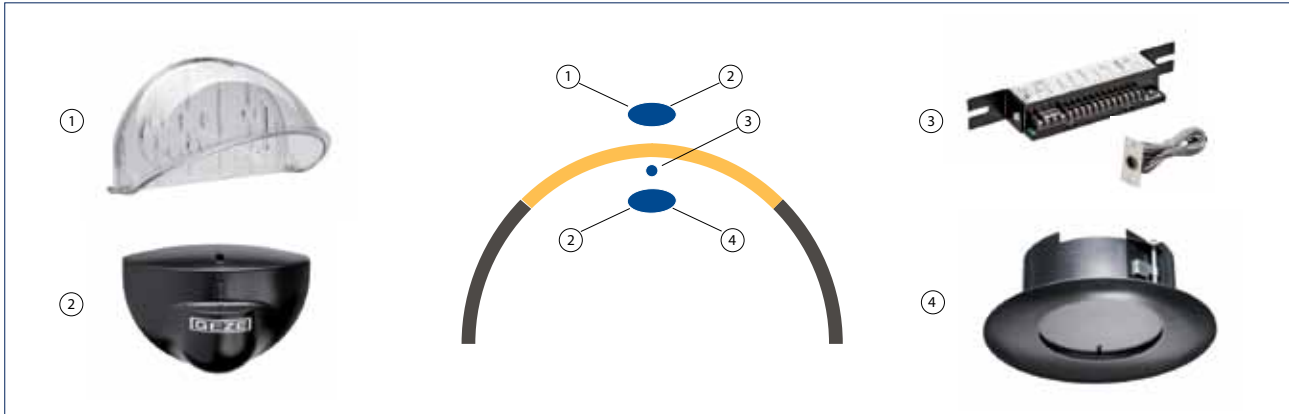


Keypad programme switch (TPS)

## Securing automatic sliding doors

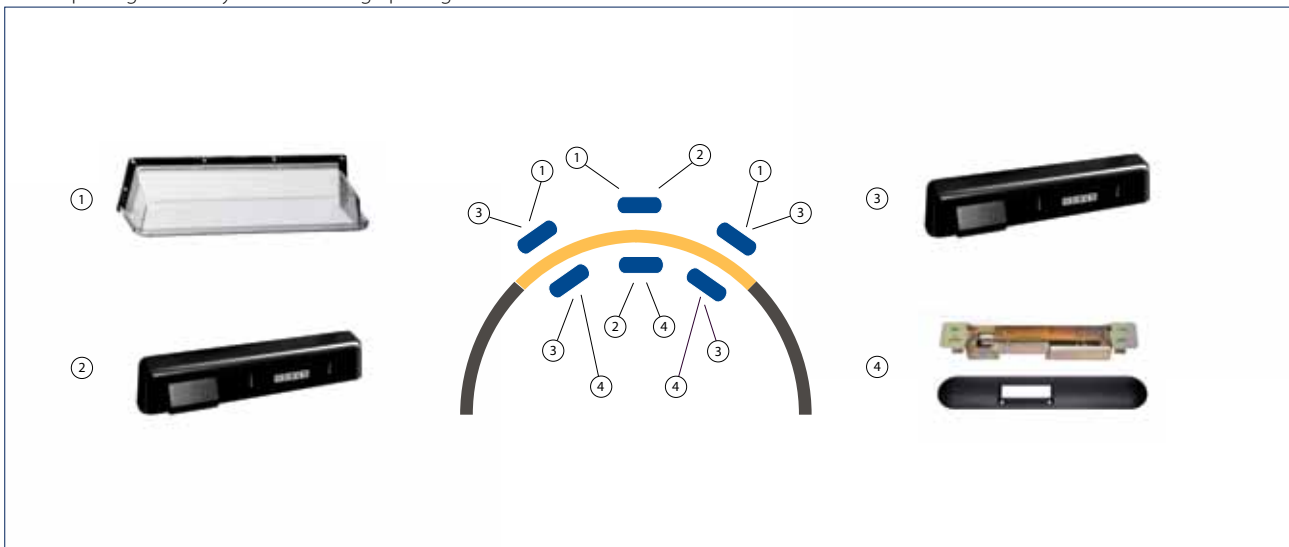
### Securing of the passage area for semi-circular and circular sliding doors in accordance with DIN 18650

Sensor package for SC systems with small passage clearance



- 1 = Optional: GC 304 rain cover to protect the radar detector outdoors
- 2 = Radar detectors GC 304 R and GC 304 SF (in direction of emergency exit) for triggering the automatic door
- 3 = HZC ultrasound for protecting the opening width
- 4 = GC 304 ceiling installation kit for integrating the radar detector in the ceiling

Sensor package for SC systems with large passage clearance



- 1 = Optional: GC 362 rain cover to protect the combined detector / light curtain outdoors
- 2 = Combined detectors GC 362 R and GC 362 SF (in direction of emergency exit) for triggering and securing the automatic door
- 3 = Light curtain GC 333 for protecting the opening width
- 4 = Optional: GC 362 ceiling installation kit for integrating the combined detector/light curtain in the ceiling

## Automatic locking

### Locking by toothed belt

This electromagnetic bi-stable locking system ensures more safety, because it stays locked even without electric current. Manual emergency unlocking is possible at any time. Typical for this type of locking is permanent monitoring by the control unit. Up to two contacts for external applications (e.g. alarm systems) can be integrated as an option. Thanks to the free choice of positioning in the drive, the toothed belt unit is not only easy to install, it also makes special locking functions possible, e.g. locked pharmacy opening of the sliding doors.

### Rod locking

Rod locking increases safety and burglary protection. The multi-point lock – both upwards and in the ground – provides solid resistance against attempts to be levered open. The locking rod is integrated invisibly in the fine-framed ISO profile system. The system can be unlocked both electrically or mechanically. Rod locking can be used in the Slimdrive SL and Slimdrive SLT drives. Emergency exit routes can also be protected by rod locking.

## Manual locking

### Floor lock

The GEZE floor lock is used to lock door leaves with the fine-framed ISO profile system easily at floor level. Standard profile cylinders can be used for the floor locks. This means the solution is suitable for optimum integration in locking systems. Operation is manual, with the key, either only from the inside or from the inside and outside.



Floor lock

## Service Tools

### GEZEconnects

Bluetooth is an internationally standardised short-distance radio signal with a range of up to ten metres. The software GEZEconnects makes wireless connection via Bluetooth possible between a computer and the automatic door systems from GEZE. All door system settings can be carried out via an intuitive graphic interface, stored, sent by e-mail and transferred to a word processing programme as a protocol. Diagnosis functions show the most important function parameters of the door system in real time, so that problems are recognised at a glance and can be eliminated. All the pre-settings can be taken over very easily for further door systems. The convenient documentation of initial operation, servicing and diagnosis protocols as well as all statistical data can be downloaded at any time. Password protection to freeze operating parameters and servicing data guarantees there will be no unauthorised modifications made.

### Service terminal ST 220

Mobile, handy and straightforward – that is parameter setting for the automatic GEZE door systems using the service terminal ST 220. Communication and data exchange between the service terminal and the door drive is via an integrated RS485 interface. The large illuminated interface is easy to operate thanks to the plain text display. The service terminal is equipped with a readout function for servicing and diagnosis work. Power is supplied via the door system. Password protection to freeze operating parameters and servicing data guarantees there will be no unauthorised modifications made.



GEZEconnects

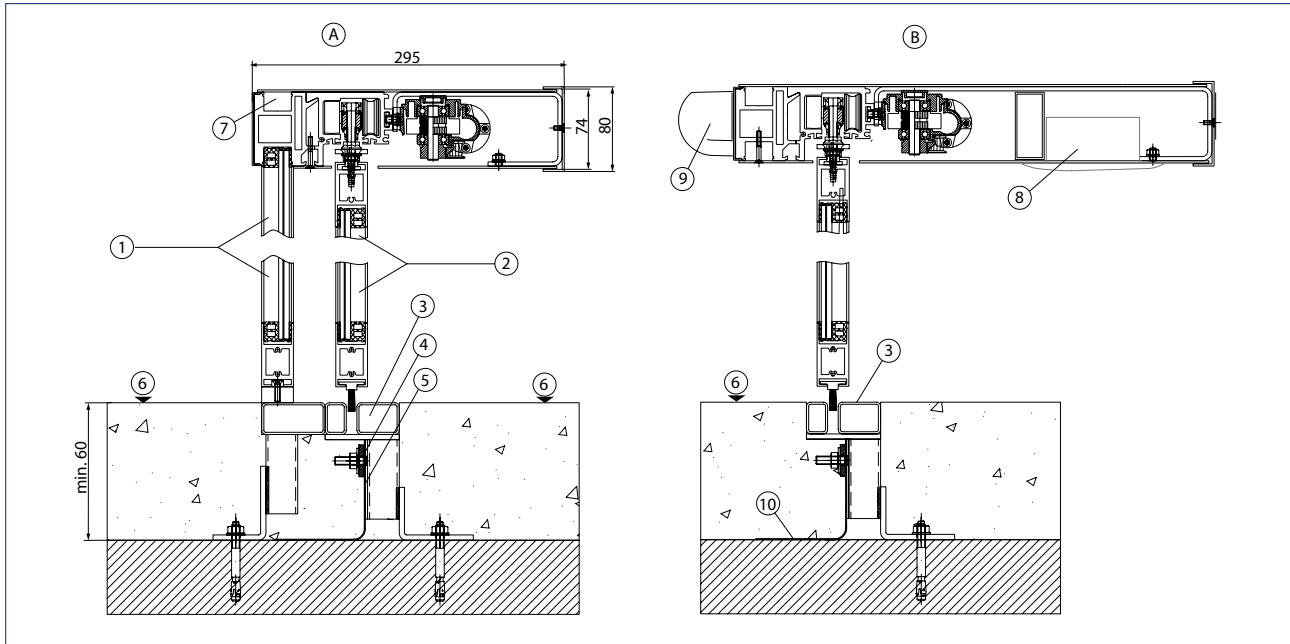


Service terminal ST 220

Installation drawings SC/SCR

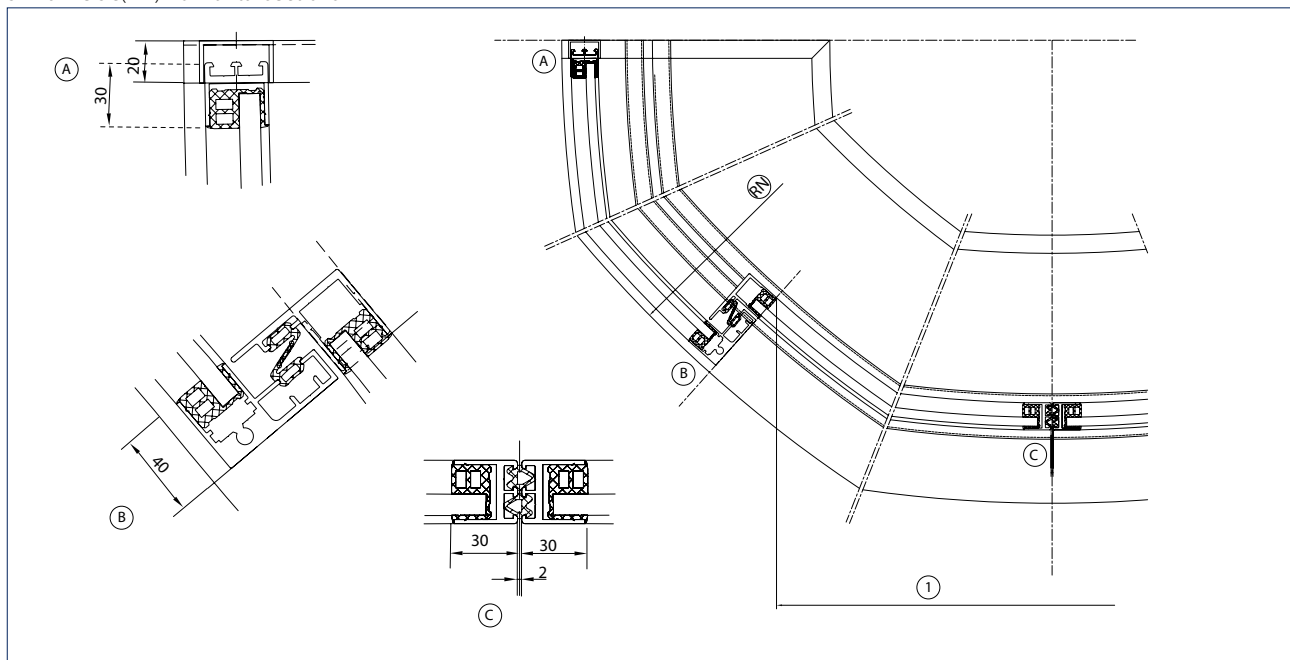
Slimdrive SC/SCR

Slimdrive SC(-FR) and SCR(-FR)



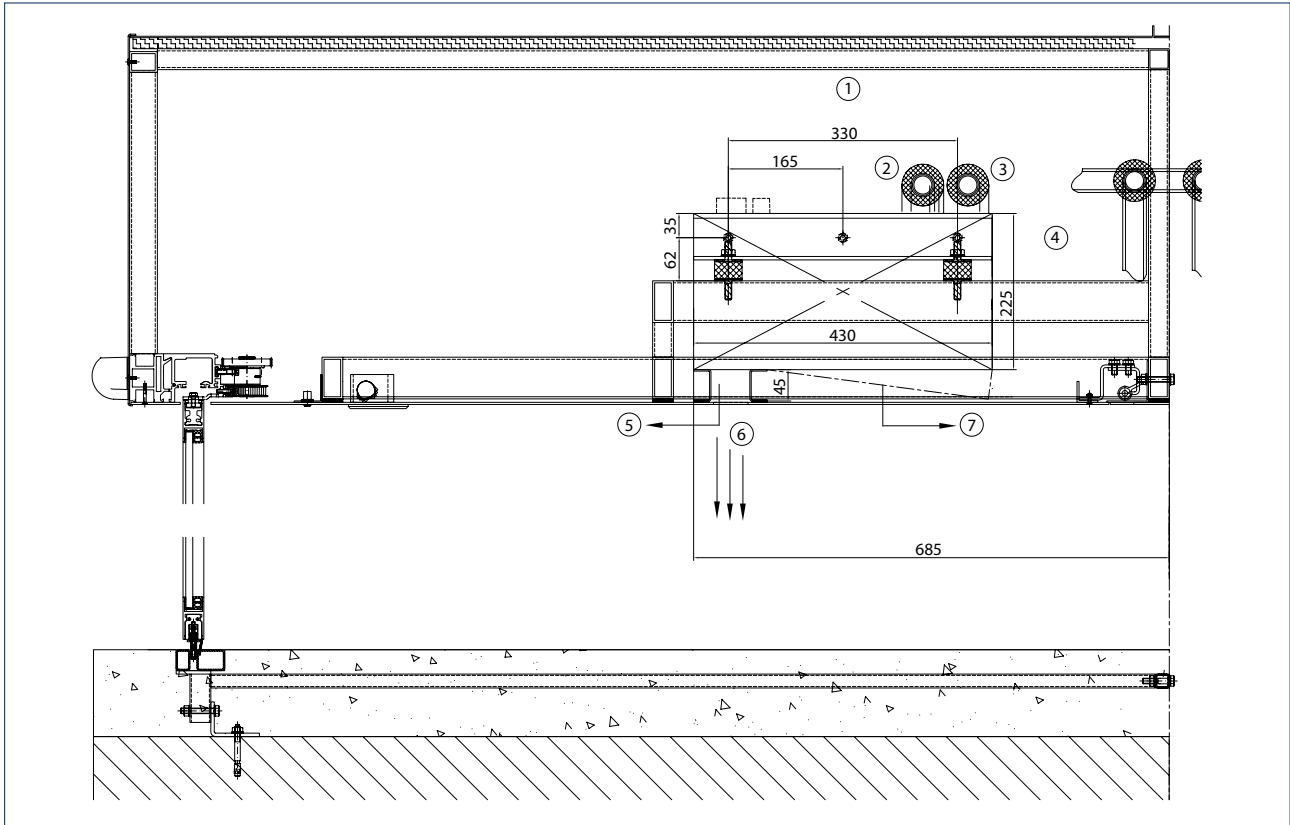
- A = SC(-FR) side element area
- B = SCR(-FR) passage area
- 1 = Side element with VSG
- 2 = Moving leaf with VSG
- 3 = Stainless steel floor ring
- 4 = Optional: Sheet metal base 180° loose/fixed flange all the way round
- 5 = Sealing film on site
- 6 = Upper edge of finished floor
- 7 = Drive complete (covering / drive components)
- 8 = Ceiling installation kit for radar movement detector
- 9 = Radar movement detector
- 10 = Sealing on site

Slimdrive SC(-FR) horizontal sections



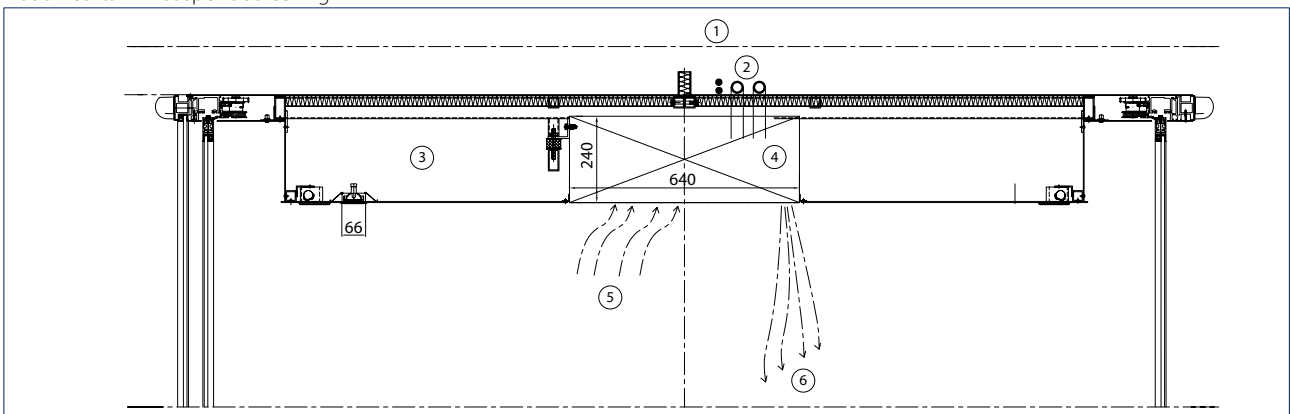
- 1 = Clear passage width
- RN = Nominal radius

Hot-air curtain in ceiling canopy



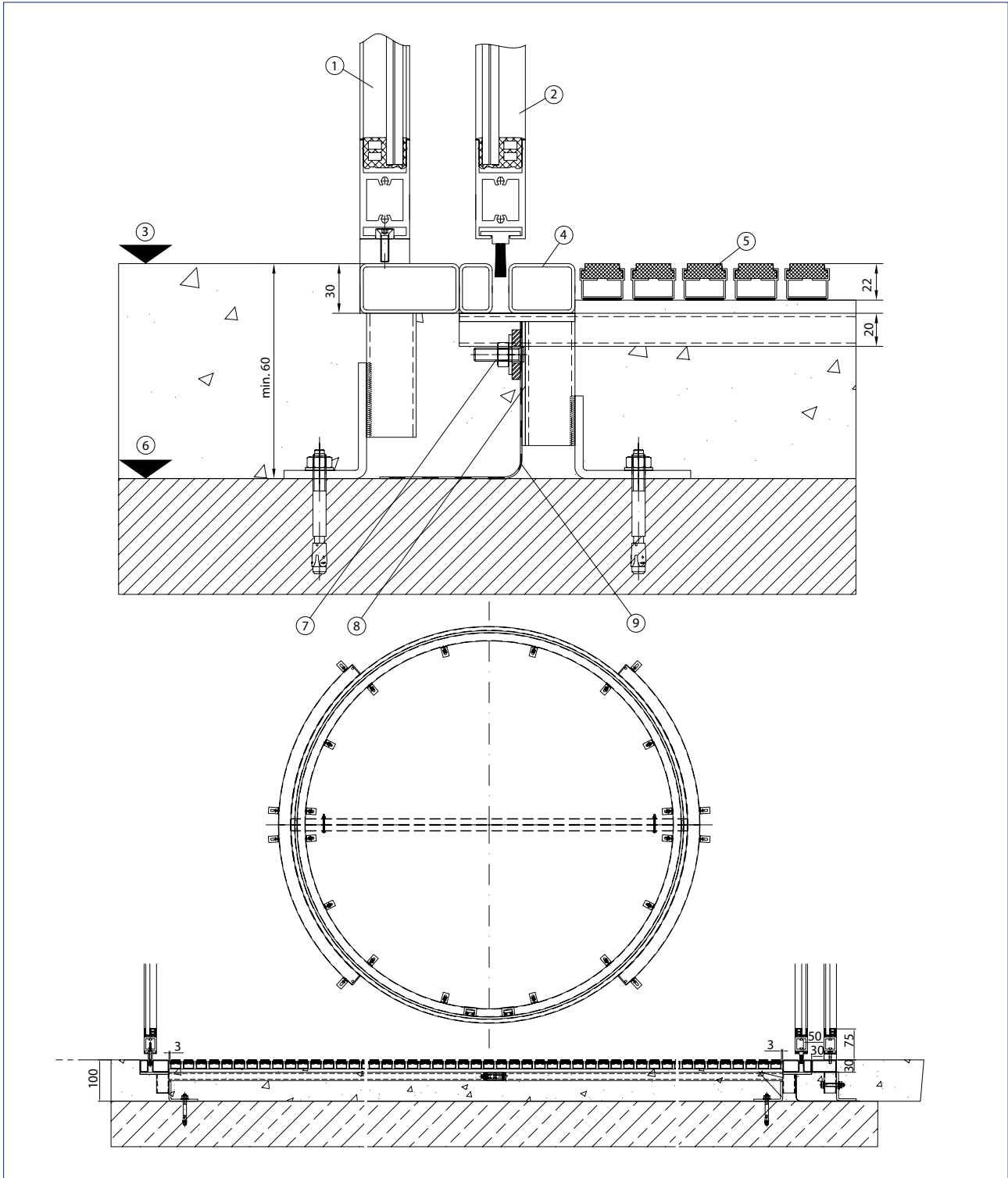
- 1 = Air intake lines must never be blocked
- 2 = Supply flow
- 3 = Return flow
- 4 = Inner
- 5 = Exhaust outlet
- 6 = Outer
- 7 = Servicing flap

Hot-air curtain in suspended ceiling



- 1 = Supply lines for hot-air curtains on site
- 2 = Opening for hot-air curtain line routing
- 3 = Suspended ceiling with preparatory work for hot-air curtain system
- 4 = Hot-air curtain system
- 5 = Air intake
- 6 = Air blow-out

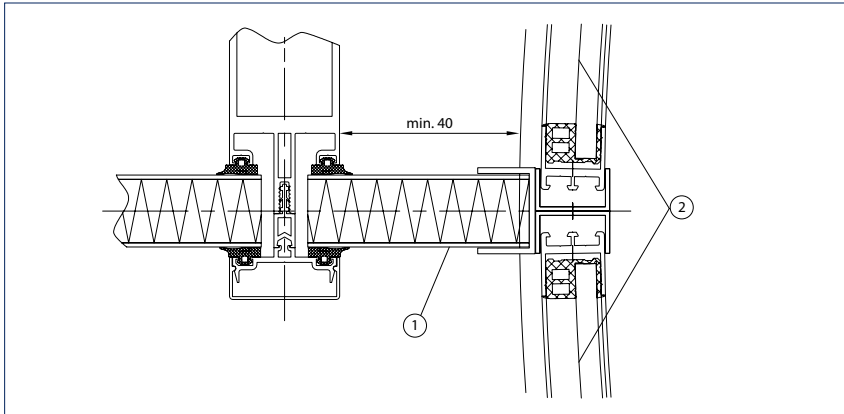
Floor ring



- 1 = Side element with VSG
- 2 = Moving leaf with VSG
- 3 = Finished flooring
- 4 = Stainless steel - floor ring
- 5 = Optional: Floor covering / clean scraping mat
- 6 = Unfinished floor
- 7 = Optional: Loose/fixed flange
- 8 = Optional: Sheet metal base 180° all the way round
- 9 = Sealing film on site

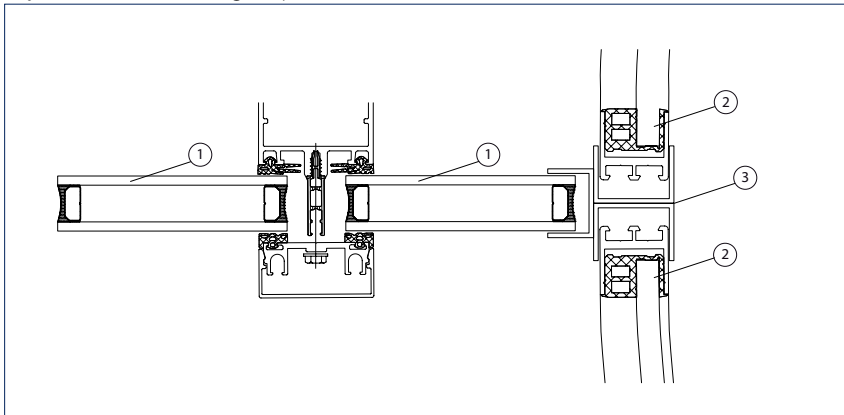


Façade connection with sheet metal panel



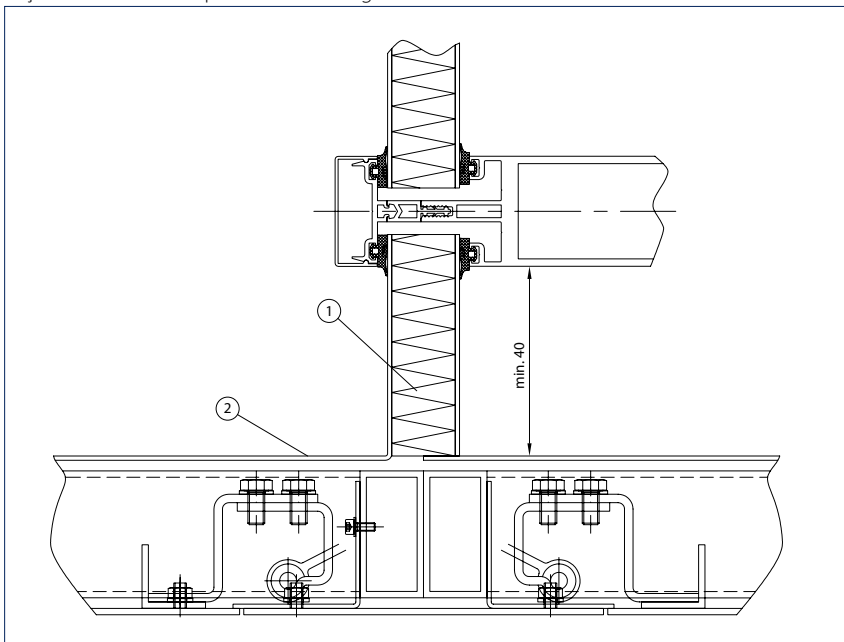
- 1 = Optional: Façade connection (panel)
- 2 = Side element with VSG

Façade connection with glass pane



- 1 = Glass pane
- 2 = Side element
- 3 = Spindle

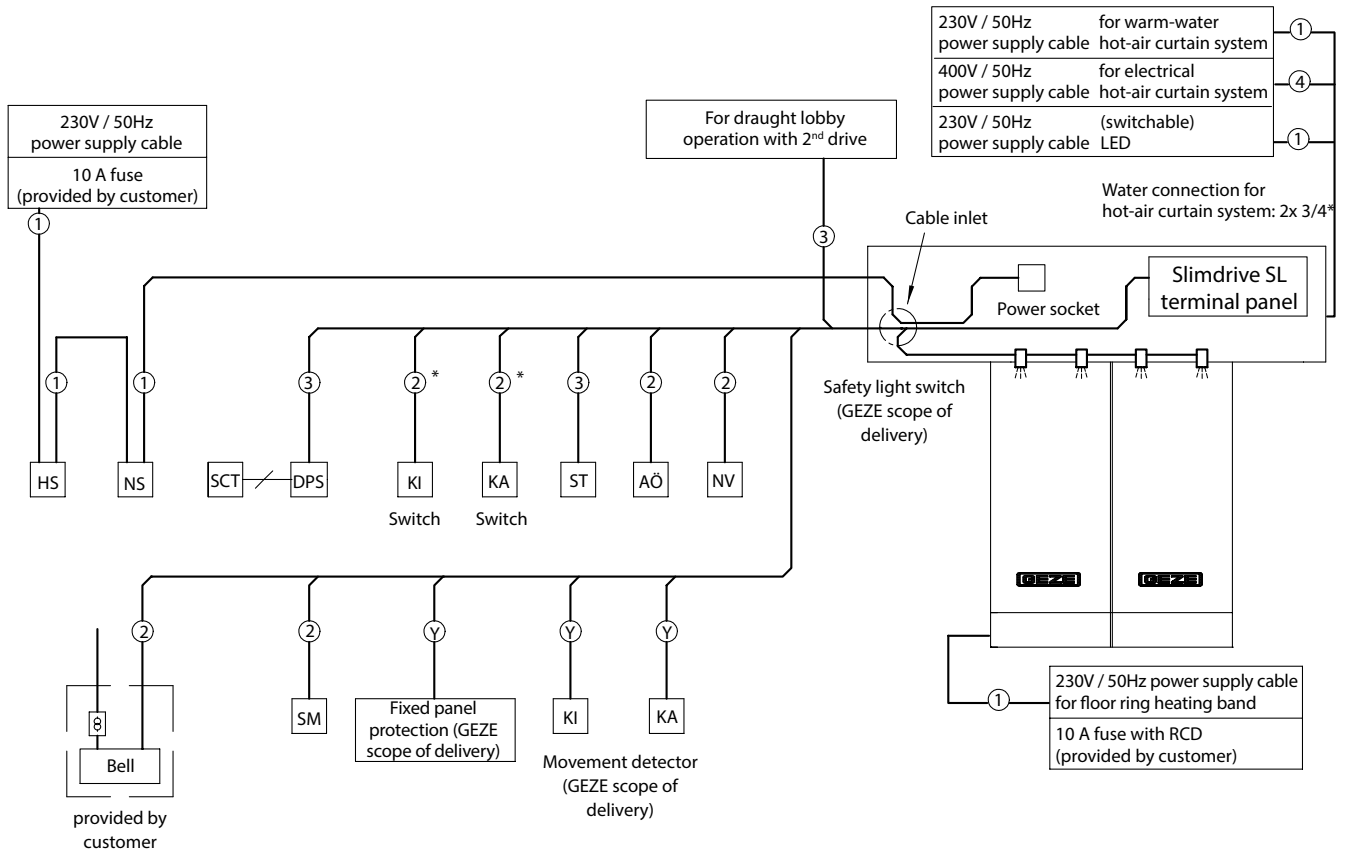
Façade connection top - with weather guard



- 1 = Optional: Façade connection (panel)
- 2 = Sheet aluminium weather guard, chamfered

## Cable plan Slimdrive SL-SC

For detailed information concerning connection of the actuation devices and sensors refer to connection diagram 70484-9-0954.



## Wire cross-sections

- ① NYM-J 3 x 1.5 mm<sup>2</sup>
- ② I-Y(ST)Y 2 x 0.6 mm
- ③ I-Y(ST)Y 2 x 2 x 0.6 mm
- ④ NYM-J 5 x 1.5 mm<sup>2</sup>
- Ⓨ 5 x 0.25 mm<sup>2</sup> (GEZE scope of delivery for GEZE products)
- \* For pressure switches

HS	Main switch
NS	Emergency off switch <sup>3)</sup>
DPS	Display programme switch
SCT	Key-operated programme switch
KI	Internal actuation device <sup>1)</sup>
KA	External actuation device <sup>2)</sup>
ST	Key push button
AÖ	Pharmacy opening
NV	Emergency lock
SM	Fault detector Fault lamp or fault horn

## Safety notes

- Cable routing as per VDE 0100
- Cable routing, connection work and commissioning may only be carried out by authorised experts.
- GEZE does not assume any guarantee and service prestations in combination with third-party products.

## Notes

- 1) One or more actuation devices (KI) can be installed. When installing an integrated movement detector, the cables are laid in the drive.
- 2) One or more external actuation devices (KA) can be installed.
- 3) Attach emergency off switches in the right-hand escape direction

References



Cafe Luitpold, Munich, Germany (Photo: Robert Sprang)



Cafe Luitpold, Munich, Germany (Photo: Robert Sprang)

Referenzen



Dorniermuseum, Friedrichshafen, Germany (Photo: Dirk Wilhemy)



Lexus, Stuttgart, Germany (Photo: Dirk Wilhemy)

Referenzen



Textil- und Industriemuseum, Augsburg, Germany (Photo: Dirk Wilhelmy)



Casino, Monte-Carlo, Monaco (Photo: Jean-Louis Martinetti)

You will find more product information in the relevant brochures, see ID numbers.

## Door technology

<b>01</b>	Overhead door closers ID 091593, ID 091594
<b>02</b>	Hold-open systems ID 091593, ID 091594
<b>03</b>	Integrated door closers ID 091609
<b>04</b>	Floor springs ID 091607
<b>05</b>	Sliding door gear systems and linear guides ID 123605, ID 008770, ID 000586

## Automatic door systems

<b>06</b>	Swing doors ID 144785
<b>07</b>	Sliding, telescopic and folding doors ID 143639
<b>08</b>	Circular and semi-circular sliding doors ID 135772
<b>09</b>	Revolving doors ID 132050
<b>10</b>	Actuation devices and sensors ID 142655

## Smoke and heat extraction and window technology

<b>11</b>	Fanlight opening systems ID 127787
<b>12</b>	Electric opening and locking systems ID 154851
<b>13</b>	Electrical spindle and linear drives ID 154851
<b>14</b>	Electric chain drives ID 154851
<b>15</b>	Smoke and heat extraction systems ID 154851

## Safety technology

<b>16</b>	Emergency exit systems ID 132408
<b>17</b>	Access control systems ID 132158
<b>18</b>	Panic locks ID 132848
<b>19</b>	Electric strikes ID 148666
<b>20</b>	Building management system ID 132408

## Glass systems

<b>21</b>	Manual sliding wall systems (MSW) ID 104377
<b>22</b>	Integrated all-glass systems (IGG) ID 104366
<b>23</b>	GEZE Patch fittings mono glass systems ID 122521



# POTENTIAL APPLICATIONS OF GEZE PRODUCTS



## Door technology

The functionality, superior performance and reliability of GEZE door closers are impressive. A common design across the range, the ability to use them on all common door leaf widths and weights, and the fact that they can be individually adjusted makes their selection simple. They are continually being improved and enhanced with up-to-date features. For example, the requirements of fire protection and accessibility are fulfilled with a door closer system.

## Automatic door systems

GEZE automatic door systems open up a huge variety of options in door design. The latest, innovative high-performance drive technology, safety, ease of accessibility and first class universal drive design set them apart. GEZE offers complete solutions for individual requirements. A dedicated division is responsible for the development and construction of individual special designs.

## Smoke and heat extraction and window technology

GEZE smoke and heat extraction systems and ventilation technology provide complete systems solutions combining the many requirements of different types of windows. We supply a full range from energy efficient drive systems to natural ventilation and complete solutions for supplying and extracting air, also as certified SHEVs.

## Safety technology

GEZE safety technology sets the standards where preventative fire protection, access control and anti-theft security in emergency exits are concerned. For each of these objectives GEZE offers tailored solutions, which combine the individual safety requirements in one intelligent system and close doors and windows in case of danger in a coordinated manner.

## Building systems

In GEZE's Building Management System GEZE door, window and safety products can be integrated in to the security and control systems of the building. A central control and visualisation system monitors various automation components in the building and offers security through many different networking capabilities.

## Glass systems

GEZE glass systems stand for open and transparent interior design. They can either blend discreetly into the architecture of the building or stand out as an accentuated feature. GEZE offers a wide variety of technologies for functional, reliable and aesthetic sliding wall or sliding door systems providing security with lots of design scope.

**GEZE GmbH**  
**P.O. Box 1363**  
**71226 Leonberg**  
**Germany**

**GEZE GmbH**  
**Reinhold-Vöster-Straße 21-29**  
**71229 Leonberg**  
**Germany**  
**Telefon +49 (0) 7152-203-0**  
**Telefax +49 (0) 7152-203-310**  
**www.geze.com**

**Germany**  
**GEZE Sonderkonstruktionen GmbH**  
 Planken 1  
 97944 Boxberg-Schweigern  
 Tel. +49 (0) 7930-92 94-0  
 Fax +49 (0) 7930-92 94-10  
 sk.de@geze.com

**GEZE GmbH**  
 Niederlassung Süd-West  
 Breitwiesenstraße 8  
 71229 Leonberg  
 Tel. +49 (0) 7152-203-594  
 Fax +49 (0) 7152-203-438  
 leonberg.de@geze.com

**GEZE GmbH**  
 Niederlassung Süd-Ost  
 Parking 17  
 85748 Garching bei München  
 Tel.: +49 (0) 89-120 07 42-50  
 Fax.: +49 (0) 7152-203-77050  
 garching.de@geze.com

**GEZE GmbH**  
 Niederlassung Ost  
 Böhrlingstraße 8  
 13086 Berlin (Weissensee)  
 Tel. +49 (0) 30-47 89 90-0  
 Fax +49 (0) 30-47 89 90-17  
 berlin.de@geze.com

**GEZE GmbH**  
 Niederlassung Mitte/Luxemburg  
 Adenauerallee 2  
 61440 Oberursel (b. Frankfurt)  
 Tel. +49 (0) 6171-63 610-0  
 Fax +49 (0) 6171-63 610-1  
 frankfurt.de@geze.com

**GEZE GmbH**  
 Niederlassung West  
 Nordsternstraße 65  
 45329 Essen  
 Tel. +49 (0) 201-83 082-0  
 Fax +49 (0) 201-83 082-20  
 essen.de@geze.com

**GEZE GmbH**  
 Niederlassung Nord  
 Haus 11, 1. OG - Theodorstr. 42-90  
 22761 Hamburg-Bahrenfeld  
 Tel. +49 (0) 40-2 19 07 16-27  
 Fax +49 (0) 40-2 19 07 16-28  
 hamburg.de@geze.com

**GEZE Service GmbH**  
 Niederlassung Süd-West  
 Reinhold-Vöster-Straße 25  
 71229 Leonberg  
 Tel. +49 (0) 1802-923392  
 Fax +49 (0) 7152-92 33 63  
 service-leonberg.de@geze.com

**GEZE Service GmbH**  
 Niederlassung Süd  
 Parking 17  
 85748 Garching bei München  
 Tel. +49 (0) 1802-923392  
 Fax +49 (0) 89-120 07 42-60  
 service-muenchen.de@geze.com

**GEZE Service GmbH**  
 Niederlassung Mitte  
 Oberurseler Str. 69  
 61440 Oberursel  
 Tel. +49 (0) 1802-923392  
 Fax +49 (0) 6171-63 327-19  
 service-oberursel.de@geze.com

**GEZE Service GmbH**  
 Niederlassung West  
 Nordsternstraße 65  
 45329 Essen  
 Tel. +49 (0) 1802-923392  
 Fax +49 (0) 201-8 30 82-25  
 service-essen.de@geze.com

**GEZE Service GmbH**  
 Niederlassung Nord-Ost  
 Böhrlingstraße 8  
 13086 Berlin (Weissensee)  
 Tel. +49 (0) 1802-923392  
 Fax +49 (0) 30-47021733  
 service-berlin.de@geze.com

**GEZE Service GmbH**  
 Niederlassung Nord  
 Theodorstr. 42-90, Haus 11  
 22761 Hamburg  
 Tel. +49 (0) 1802-923392  
 Fax +49 (0) 40-219 07 16-19  
 service-hamburg.de@geze.com

**Austria**  
**GEZE Austria**  
 Wiener Bundesstrasse 85  
 A-5300 Hallwang  
 Tel: +43/6225/87180  
 Fax: +43/6225/87180-299  
 austria.at@geze.com

**Baltic States**  
**GEZE GmbH Baltic States office**  
 Dzelsavas iela 120 S  
 1021 Riga  
 Tel. +371 (0) 67 89 60 35  
 Fax +371 (0) 67 89 60 36  
 office-latvia@geze.com

**Benelux**  
**GEZE Benelux B.V.**  
 Steenoven 36  
 5626 DK Eindhoven  
 Tel. +31 (0) 40-26 290-80  
 Fax +31 (0) 40-26 290-85  
 benelux.nl@geze.com

**Bulgaria**  
**GEZE Bulgaria - Trade**  
 Representative Office  
 Nickolay Haitov 34 str., fl. 1  
 1172 Sofia  
 Tel. +359 (0) 24 70 43 73  
 Fax +359 (0) 24 70 62 62  
 office-bulgaria@geze.com

**China**  
**GEZE Industries (Tianjin) Co., Ltd.**  
 Shuangchenzhong Road  
 Beichen Economic Development  
 Area (BEDA)  
 Tianjin 300400, P.R. China  
 Tel. +86 (0) 22-26 97 39 95-0  
 Fax +86 (0) 22-26 97 27 02  
 sales-info@geze.com.cn

**GEZE Industries (Tianjin) Co., Ltd.**  
 Branch Office Shanghai  
 Unit 25N, Cross Region Plaza  
 No 899, Ling Ling Road,  
 XuHui District  
 200030 Shanghai, P.R. China  
 Tel. +86 (0) 21-523 40 960  
 Fax +86 (0) 21-644 72 007  
 chinasales@geze.com.cn

**GEZE Industries (Tianjin) Co., Ltd.**  
 Branch Office Guangzhou  
 Room 17C3  
 Everbright Bank Building, No.689  
 Tian He Bei Road  
 510630 Guangzhou  
 P.R. China  
 Tel. +86 (0) 20-38 73 18 42  
 Fax +86 (0) 20-38 73 18 34  
 chinasales@geze.com.cn

**GEZE Industries (Tianjin) Co., Ltd**  
 Branch Office Beijing  
 Room 1001, Tower D  
 Sanlitun SOHO  
 No. 8, Gongti North Road,  
 Chaoyang District  
 100027 Beijing, P.R.China  
 Tel. +86 (0) 10-59 35 93 00  
 Fax +86 (0)10-59 35 93 22  
 chinasales@geze.com.cn

**France**  
**GEZE France S.A.R.L.**  
 ZAC de l'Orme Rond  
 RN 19  
 77170 Servon  
 Tel. +33 (0) 1 60 62 60 70  
 Fax +33 (0) 1 60 62 60 71  
 france.fr@geze.com

**Hungary**  
**GEZE Hungary Kft.**  
 Hungary-2051 Biatorbágy  
 Vendel Park  
 Huber u. 1.  
 Tel. +36/23/532-735  
 Fax +36/23/532-738  
 office-hungary@geze.com

**Iberia**  
**GEZE Iberia S.R.L.**  
 C/ Andorra 24  
 08830 San Boi de Llobregat  
 (Barcelona)  
 Tel. +34 902 194 036  
 Fax +34 902 194 035  
 info@geze.es

**India**  
**GEZE India Private Ltd.**  
 MF 2 & 3, Guindy Industrial Estate  
 Ekkattuthangal  
 Chennai 600 097  
 Tamilnadu  
 Tel. +91 (0) 44 30 61 69 00  
 Fax +91 (0) 44 30 61 69 01  
 office-india@geze.com

**Italy**  
**GEZE Italia S.r.l**  
 Via Giotto, 4  
 20040 Cambiago (MI)  
 Tel. +39 (0) 29 50 695-11  
 Fax +39 (0) 29 50 695-33  
 italia.it@geze.com

**GEZE Italia S.r.l**  
 Via Lucrezia Romana, 91  
 00178 Roma  
 Tel. +39 (0) 6-72 65 311  
 Fax +39 (0) 6-72 65 3136  
 roma@geze.biz

**Poland**  
**GEZE Polska Sp.z o.o.**  
 ul. Annapol 21  
 03-236 Warszawa  
 Tel. +48 (0) 22 440 4 440  
 Fax +48 (0) 22 440 4 400  
 geze.pl@geze.com

**Romania**  
**GEZE Romania S.R.L.**  
 IRIDE Business Park,  
 Str. Dimitrie Pompeiu nr. 9-9a,  
 Building 10, Level 2, Sector 2,  
 020335 Bucharest  
 Tel.: +40 (0) 21 25 07 750  
 Fax: +40 (0) 21 25 07 750  
 office-romania@geze.com

**Russia**  
**OOO GEZE RUS**  
 Gamsonovskiy Per. 2  
 115191 Moskau  
 Tel. +7 (0) 495 933 06 59  
 Fax +7 (0) 495 933 06 74  
 office-russia@geze.com

**Scandinavia - Sweden**  
**GEZE Scandinavia AB**  
 Mallslingan 10  
 Box 7060  
 18711 Täby, Sweden  
 Tel. +46 (0) 8-7323-400  
 Fax +46 (0) 8-7323-499  
 sverige.se@geze.com

**Scandinavia - Norway**  
**GEZE Scandinavia AB avd. Norge**  
 Industriveien 34 B  
 2073 Dal  
 Tel. +47 (0) 639-57 200  
 Fax +47 (0) 639-57 173  
 norge.se@geze.com

**Scandinavia - Finland**  
**Branch office of GEZE Scandinavia AB**  
 Herralantie 824  
 Postbox 20  
 15871 Hollola  
 Tel. +358 (0) 10-40 05 100  
 Fax +358 (0) 10-40 05 120  
 finland.se@geze.com

**Scandinavia - Denmark**  
**GEZE Danmark**  
 Branch office of GEZE Scandinavia AB  
 Mårkærvej 13 J-K  
 2630 Taastrup  
 Tel. +45 (0) 46-32 33 24  
 Fax +45 (0) 46-32 33 26  
 danmark.se@geze.com

**Singapore**  
**GEZE (Asia Pacific) Pte. Ltd.**  
 21 Bukit Batok Crescent  
 #23-75 Wcega Tower  
 Singapore 658065  
 Tel. +65 6846 1338  
 Fax: +65 6846 9353  
 gezesea@geze.com.sg

**South Africa**  
**GEZE Distributors (Pty) Ltd.**  
 118 Richards Drive, Halfway House,  
 Ext 111, P.O. Box 7934, Midrand 1685,  
 South Africa  
 Tel: + 27 (0) 113 158 286  
 Fax: + 27 (0) 113158261  
 info@gezesa.co.za

**Switzerland**  
**GEZE Schweiz AG**  
 Bodenackerstrasse 79  
 4657 Dulliken  
 Tel. +41 (0) 62 285 54 00  
 Fax +41 (0) 62 285 54 01  
 schweiz.ch@geze.com

**Turkey**  
**GEZE Kapı ve Pencere Sistemleri**  
 San. ve Tic. Ltd. Şti.  
 Ataşehir Bulvarı, Ata 2/3  
 Plaza Kat: 9 D: 84 Ataşehir  
 Ataşehir / İstanbul  
 Tel. + 90 (0) 216 455 43 15  
 Fax + 90 (0) 216 455 82 15  
 office-turkey@geze.com

**Ukraine**  
**LLC GEZE Ukraine**  
 ul. Viskoznaya, 17,  
 Building 93-B, Office 12  
 02660 Kiev  
 Tel./Fax +38 (0) 44 501 22 25  
 office-ukraine@geze.com

**United Arab Emirates/GCC**  
**GEZE Middle East**  
 P.O. Box 17903  
 Jebel Ali Free Zone  
 Dubai  
 Tel. +971 (0) 4-88 33 112  
 Fax +971 (0) 4-88 33 240  
 geze@emirates.net.ae

**United Kingdom**  
**GEZE UK Ltd.**  
 Blenheim Way  
 Fradley Park  
 Lichfield  
 Staffordshire WS13 8SY  
 Tel. +44 (0) 1543 44 30 00  
 Fax +44 (0) 1543 44 30 01  
 info.uk@geze.com

GEZE REPRESENTATIVE