

Besam Sliding Door Operator

- Besam UniSlide T



The Besam telescopic sliding door operator Besam UniSlide T maximises the opening width and provides an impressive solution when space is of prime criteria.



Impressive entrances

Besam UniSlide T is available for bi-parting/four leaf and single slide/two leaf doors. The Besam UniSlide T can be integrated as part of Besam Automatic Door Systems but it can also be adapted to a wide range of different door and customer requirements.

High performance – Easy installation

Many of the most valuable features and innovations that characterize Besam's strive for optimal function and performance are combined in Besam UniSlide T. With all units completely assembled in the support beam it is just as easy to install as a replacement as for new installations. Although it is very small and slim in appearance, it is entirely suitable for the heaviest duty applications.

No compromise on safety

To permit safe passage between closing doors, the doors immediately reverse if an obstruction is detected, then resume their interrupted movement at low speed to check whether the obstruction has disappeared or not. If an obstruction is detected between opening doors and surrounding walls or interior fittings, the door immediately stops and then closes after a time delay.

The safety can be further improved by using a Besam presence detection system. People or objects in the doorway are detected and the door is then prevented from closing until it is safe to do so.

Standard equipment

Support beam with transmission

Electronic control unit with plug-in connections and power supply

Traffic-controlled opening width

Synchronizing of two operators

Accessories and Options

Cover:

- clear anodized aluminium

(other anodizing optional)

- paint finished in colour RAL 9010

(paint finishes according to RAL chart optional)

Door adaptor for doors up to 65 mm thickness made by others

Programme selectors

Electronic emergency opening or closing unit

Mechanical emergency opening unit

Break-out unit

Emergency button

Besam approach and presence sensor

Presence detection photocells

Electromechanical locking devices

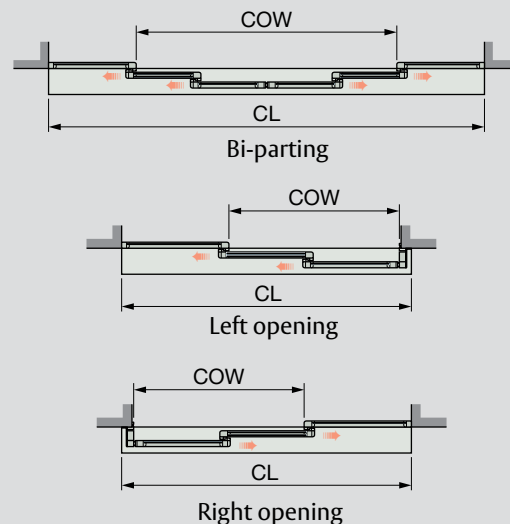
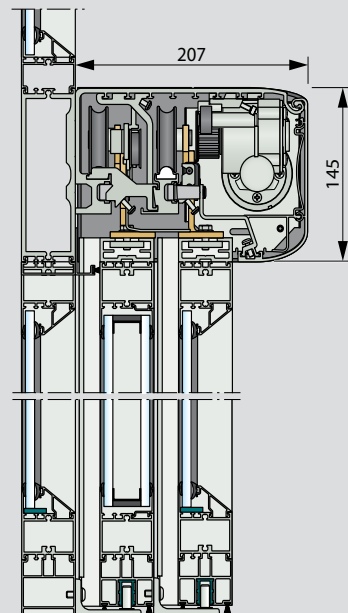
Interlocking between two operators

Key switch

Besam Automatic Door systems

Self-monitoring

The microprocessor has an integral self-monitoring device which detects any interference or faulty signals in door operation and takes necessary measures to ensure a safe operation.



COW = Largeur de passage
 CL = Longueur du capot

Design

The drive unit, control unit, transmission – or optional emergency unit and electromechanical locking device – are all assembled in the support beam. The drive unit transmits movement to the door leaves by means of tooth belts. The door leaves with integrated or separately mounted door adaptors can be adjusted height-, length- and depth-wise. Journalled steel rollers and sliding tracks made of high-grade plastic give exceptionally smooth and silent operation.

Emergency

Besam UniSlide T can either be combined with a mechanical emergency unit that automatically opens the doors—or an electronic emergency unit that automatically opens or closes the doors—in the event of a power failure. The Besam UniSlide T can also be interfaced with fire alarms or smoke detectors.

Models

Besam UniSlide T-2 – 4 leaves, bi-parting
Besam UniSlide T-1 – 2 leaves, single slide, right or left opening

Technical specifications

Power supply:
 120 V AC -10% to 240 V AC +10%; 50/60 Hz

Power consumption: max. 250 W

Recommended max. door weight:
 Besam UniSlide T-2 75 kg/door leaf
 Besam UniSlide T-1 100 kg/door leaf

Clear opening:
 Besam UniSlide T-2 1600 – 4000 mm
 Besam UniSlide T-1 1000 – 3990 mm

Opening and closing speed:
 variable up to 1.4 m/s (4 leaves)

Hold open time: 0 – 60 s

Ambient temperature: -20°C to +50°C

Relative humidity (non-condensing): Max 85%

This equipment should be installed, regularly inspected, maintained and serviced by trained and authorized personnel. Preventive maintenance plans are highly recommended for a proper and safe operation. Talk to your ASSA ABLOY Entrance Systems representative to learn more about our service offering!

ASSA ABLOY Entrance Systems

Box 669, SE-261 25 Landskrona
 Sweden
 export.se.besam@assaabloy.com
 Phone: +46 10 47 47 000
 Fax: +46 418 212 50
 www.besam.com

www.assaabloyentrance.com

ASSA ABLOY

The global leader in
 door opening solutions