

TORMAX iMotion 2302 – Sliding Door Drive



iMotion®
the passion to drive doors



intelligent



modular



ecological



reliable



economical

« The **dynamic** sliding door drive for demanding and durable applications. When **elegance** and **peak performance** combine. »

★★★★★
TORMAX
AUTOMATIC

Product Information

TORMAX iMotion 2302 – Sliding Door Drive



Area of application

- Automatic sliding doors with dynamic movement characteristics for pedestrian passageways
- Internal and external doors, including in noise-sensitive areas
- Linear doors with 1 or 2 sliding leaves, with or without lateral parts
- Telescope doors for narrow passageways
- Air locks or porches
- Rescue and escape routes
- High user frequency

Functionality

- 6 operating modes (automatic, reduced opening width, exit, permanently open, off, manual operation)
- Adjustable opening and closing speeds
- Adjustable hold-open times
- Time or step control
- 8 programmable inputs, of which 4 testable inputs for safety features, can be extended in modules
- 3 programmable outputs, can be extended in modules
- Interfaces LIN, RS232

Safety features

- Connection facilities for sensors
- Monitored adjustable power limitation
- Adjustable sensitivity when reversing
- Adjustable for low-energy

Technology

- Electro-mechanical sliding door drive
- Gearless AC synchronous motor, silent, efficient, durable
- Modular, programmable iMotion control with comprehensive monitoring and diagnostic functions, performance level D

Accessories

- Electro-mechanical lock
- Key switch
- Mechanical emergency opening
- Battery module for emergency operation
- Supplementary retaining brake
- Speed control when unpowered
- In-/output modules
- Network module

Dimensions

- Installation height 150 mm, depth 166 mm

Door data

- 1 × 200 kg, 2 × 180 kg (linear)
- Door opening widths: 700 – 3000 mm

Mains connection

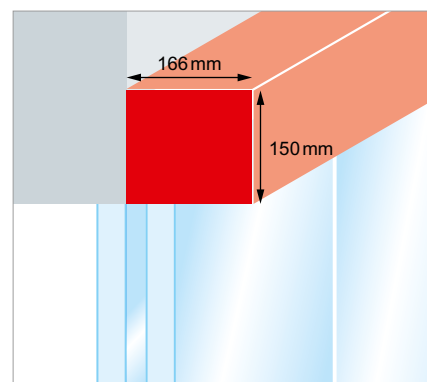
- 230 VAC 50/60 Hz

Power consumption

- 8...190 W

Approvals (directives, standards)

- CE (2006/95/EC, 2004/108/EC, 2006/42/EC)
- TÜV (EN 16005, 1 million cycles with 4000 cycles per day)
- RoHS



Cross-section

