



Matchless elegance

Developed for discerning customers, the DORMA Prestige range is characterised by the simplicity and elegance of its design. It provides the finishing touches to toughened glass assemblies and accentuates the radiance of the glass surfaces.

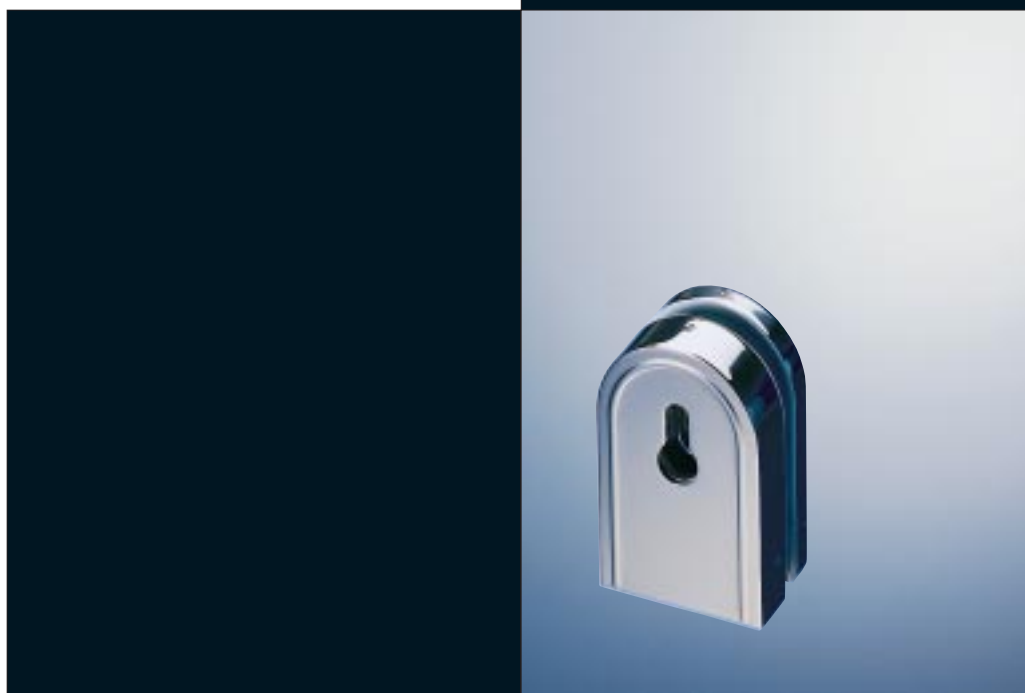
Door dimensions

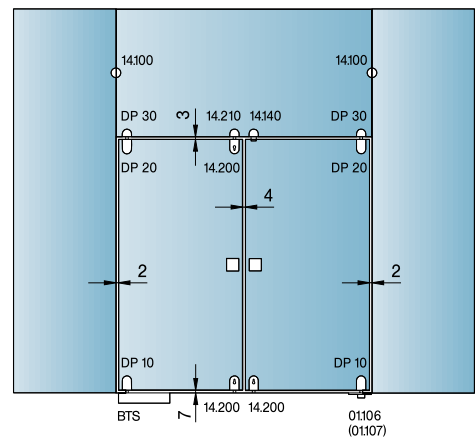
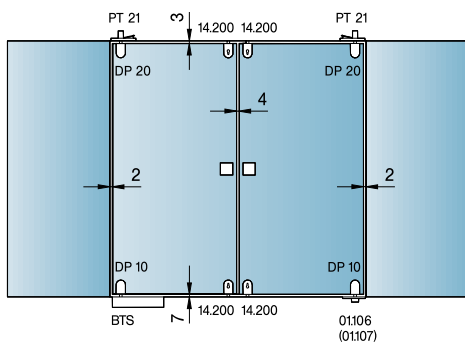
- Max. door weight: 80 kg
- Max. door width: 1100 mm

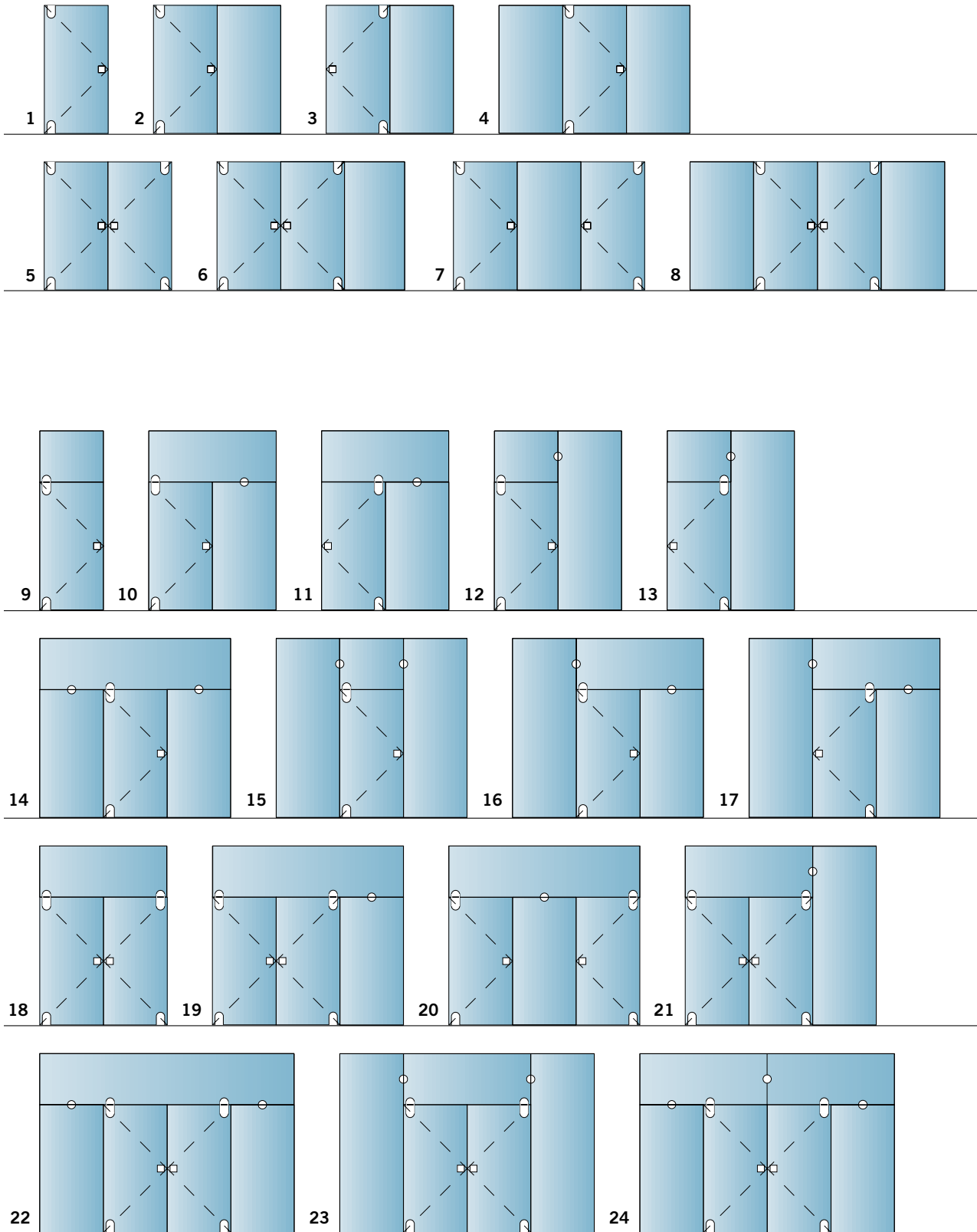
Materials and finishes

- Polished brass, varnished
- Polished stainless steel
- Satin stainless steel (smooth finish)

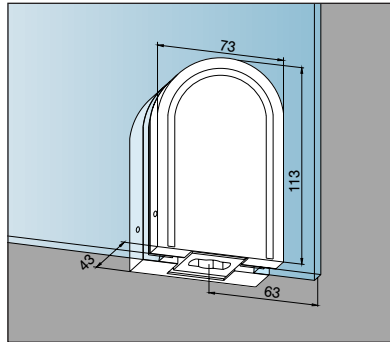
The glass preparation is especially easy, based as it is on the drilling of a small number of holes. DORMA Prestige fittings can be used without modification for 8, 10 and 12 mm thicknesses of glass.



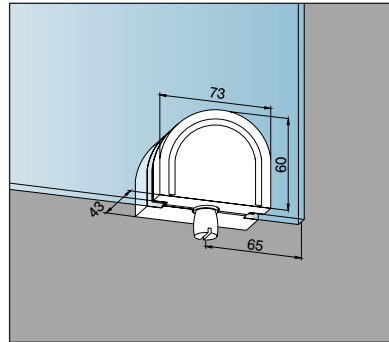




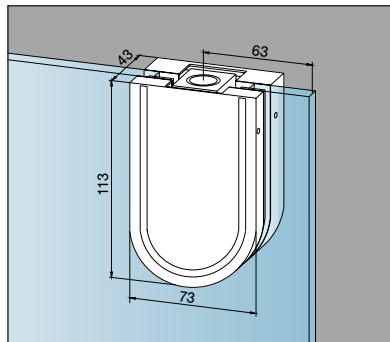
DP 10 - 14.110
Bottom patch for
floor spring spindle
or floor pivot



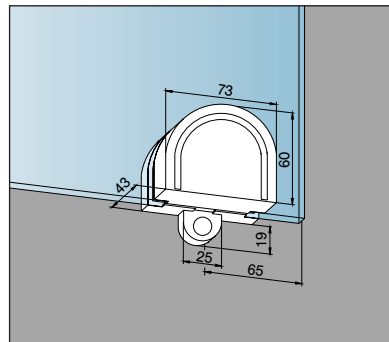
DP 30 - 14.130
Overpanel patch



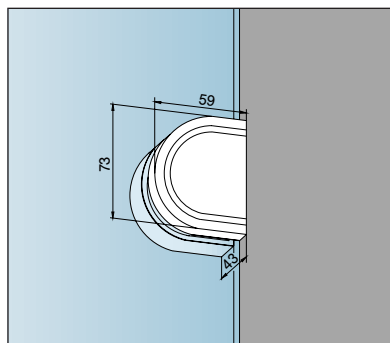
DP 20 - 14.120
Top patch



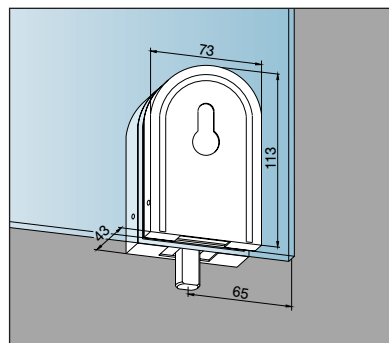
14.140
Overpanel patch
with stop insert



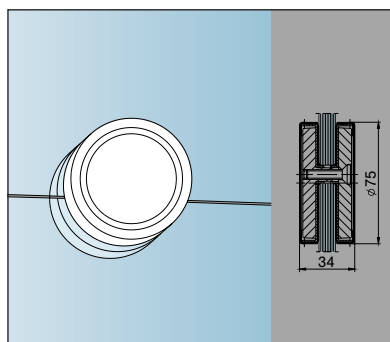
14.150
Wall connector



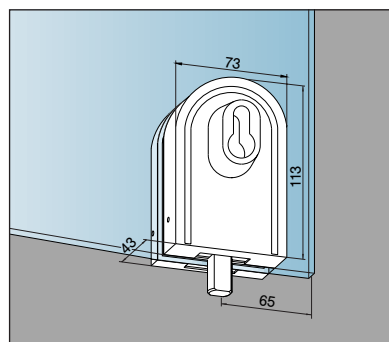
14.200
Lock, prepared for
Europrofile,
double throw, bolt
projection 20 mm



14.100
Connector



14.205
Lock with rose,
prepared for
Europrofile, double
throw, bolt
projection 20 mm



14.210
Overpanel strike
box

