

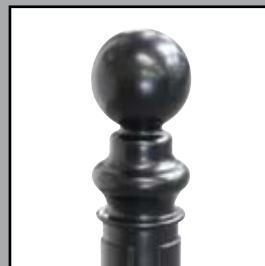
The standard range



Luxor series
automatic retractable bollards



Génération 6, Chateaufeuf
and Cylinder series
automatic-mechanical
retractable bollards



Châteaufeuf, Cylinder
and Arlésienne fixed and
removable bollards

the company Urbaco



Enhancing and controlling the spaces of life

Invented by Urbaco in 1984, retractable bollards can be applied in a variety of settings all having a single common denominator, that is, managing one or more accesses: marking a parking area, delimiting a receiving area, access to a company or housing lots, managing pedestrian areas, regulating town flows, anti-intrusion security for sensitive sites or buildings, embassies or private residences. While constantly evolving, Urbaco has deposited 12 international patents and 160 models of bollards.

the company Urbaco	2
Luxor automatic retractable bollards	4
Luxor technical center	5
G6 automatic retractable bollards	6
G6 mechanical retractable bollards	8
G6 fixed and removable bollards	10
Micro technical center	12
Certificate of compliance	13
Product testing	14
Sales materials	15

Summary

Luxor automatic retractable bollards

Luxor is the ideal answer for mass private use and public administration applicative requirements: business centres, supermarket chains, car dealerships, historical centres where elegance cannot forsake public safety and security. In fact, Luxor's movement is signalled by a double device: that is, luminous and acoustic, to prevent any accidental collisions with pedestrians or bicycles. In areas where the need to regulate traffic also becomes a question of environmental safeguarding to cut down on exhaust fumes, Luxor becomes environmentally friendly! Luxor is a high-tech product that associates the traditional Urbaco dependability to an excellent price-quality ratio.



4

LUXOR SERIES			Pneumatic	
Diameter	Height above ground mm	Weight	Code	Lost casing code
200	600	68 kg	BPLUXE60	BOCOFE60
270	600	78 kg	BPLUXF60	BOCOFF60
320	600	89 kg	BPLUXG60	BOCOFG60
200	800	76 kg	BPLUXE80	BOCOFE80
270	800	89 kg	BPLUXF80	BOCOFF80
320	800	101 kg	BPLUXG80	BOCOFG80

New head design

The cast iron head design is conceived to be aesthetically more pleasing when the bollard is retracted since it perfectly integrates with the road surface

Illuminated Ring

The new illuminated ring is made up of 12 highly luminous LEDs that warn of the presence of the bollard under any weather conditions, by day or night

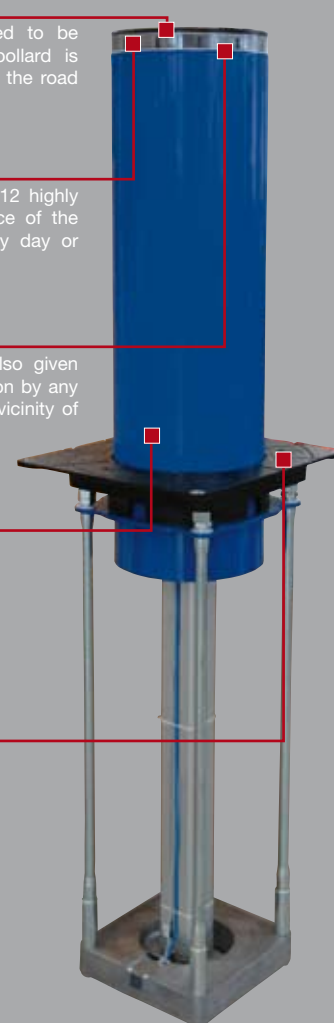
Acoustic signaller

Warning of the bollard's movement is also given by a sound signal so as to prevent collision by any pedestrians that may be transiting in the vicinity of the bollard when it is operating

Surface finishing

The body varnishing of the bollard comes in all RAL colours and guarantees exceptional colourfastness even under extreme conditions

Cast iron cover



Folding lost casing

Made of 10/10 galvanised steel sheeting and can be quickly and easily installed thanks to its reduced weight



Luxor technical center

The Luxor bollard is engineered to be connected up to Urbaco's new command stations, in Standard or Plus configurations, specifically for retractable, pneumatic bollards.

The new command stations are completely versatile, and can be managed in several installed configurations.

They are protected by the new varnished steel, rust proof cabinet, which is suitable for any weather conditions.

Currently two models are available:

Standard configuration: controls just one access.

Plus configuration: controls more than one bollard for up to 3 accesses.

Control panel

Terminal box DIN bracket

Intensive use compressor

Air supply

Floor securing base



5

Phonic and thermal insulation, upon request

The standard issue for the technical center includes:

- New 800 x 600 x 300 mm varnished steel cabinet
- Control panel
- Frequent use compressor
- Air supply rated up to 10 litres with safety valve
- Fitted to take metal mass detectors
- Central pre-cabling
- Built-in radio receiver
- Pressure switch, safety valve and gauge
- 2 bi-channel transmitters
- Inductive end-points
- Traffic light manager

The following optional accessories are also available:

- Automatic condensation release valve
- Additional electronic card enables supplementary access control (up to 3 accesses for each Plus command stations)
- Metal mass detectors
- Thermostat and heating element
- Wall mounting screws
- Floor mounting bracket
- Cooling kit



TECHNICAL CENTER	Code
CT STANDARD U200	CC6U200PRR
CT PLUS (with phonic insulation)	CC6U200PRS

G6 automatic retractable bollards

Châteauneuf model

The retractable bollards are specifically intended to manage accesses to public or private areas. They come in two versions: BEA (Automatic Retractable Bollards) and BEM (Mechanical Retractable Bollards). The BEA model retracts into the ground by way of a remote control (proximity card, alphanumeric keyboard, etc), to clear the way. It rises back up automatically after a vehicle has gone over it.

Génération 6

The sixth Génération of Urbaco retractable bollards are the fruit of over 20 years of experience and is made up of just three elements: shell, cover and bollard head, each cast into one piece, made of nodular cast iron, free of any easy to wear down parts, featuring a Monobloc® Urbaco patent.

The model:

- bollard head: Châteauneuf
- 3 diameters: 120 mm, 200 mm, 250 mm
- 1 height: 500 mm
- 1 motor type: electro-pneumatic

6



CHÂTEAUNEUF MODEL			Pneumatic	
Diameter	Height above ground mm	Weight	Code	Lost casing code
250	500	113 kg	BPCHF50	BOCOFF671
200	500	87 kg	BPCHE50	BOCOFE654
120	500	54 kg	BPCHD50	BOCOFD667

Surface finishing

Zinc is the main standard coating, oven heated to 190° to increase its resistance to rust and provide better grip for the finish, which consists of matt thermo-heating polyester powder, in standard (RAL7016) grey

Optional reflective tape

Visible class II luminous band

Models

11 mm thick cast iron, for the Châteauneuf model

Bollard Body

Cast into one block, it has a built in castor and is designed to roll without wear and tear, thus eliminating any maintenance and adjustments. Made of nodular 11 mm thick cast iron which provides great endurance

Cover

It evenly spreads any energy from collisions with the bollard to contrary components transmitting them to the buried foundation box. A thick plastic ring eases the sliding of the bollard head thus reducing any friction and noise

Electro-pneumatic motor power

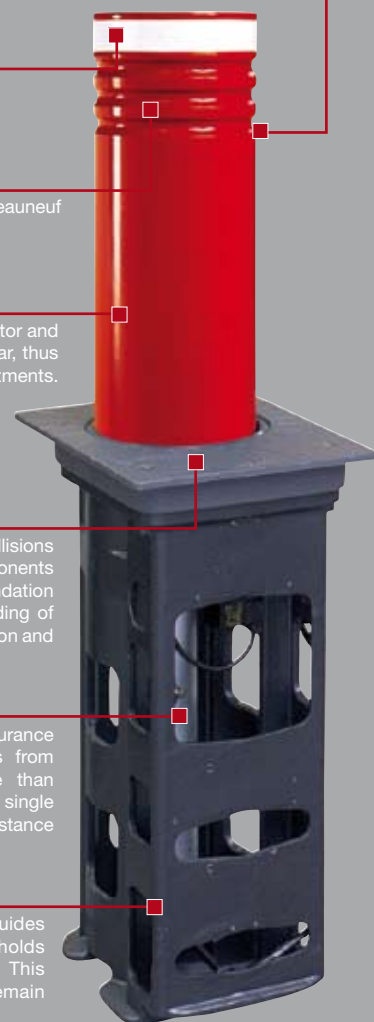
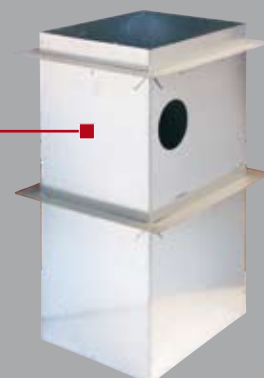
Dependability, simplicity and endurance over time. The motor power comes from low pressure compressed air (more than one bollard can be connected up to a single technical station, with unlimited distance between the bollards and the station

Casing

It is 24mm thick, and comes with 4 guides and a built-in Monobloc bar which holds fast a hydraulic or pneumatic ram. This guarantees that the guides will remain parallel and will not deform

Folding lost casing

Urbaco's new folding foundation box is supplied already folded, it features a 1.5 mm thick galvanised head. This saves a lot of space and easy stocking. It is indispensable for easy installation and mounting



G6 automatic retractable bollards

Cylinder model

Retractable bollards are the answer when needing to limit public and private areas alike. They come in two versions: BEA (Automatic Retractable Bollards) and BEM (Mechanical Retractable Bollards). The BEM model is activated using a key that releases the mechanism. Applying pressure on its head will cause the bollard to descend back underground and automatically lock itself. By turning the key the bollard will rise alone and lock itself into the 'up' position.

Génération 6

The sixth generation of Urbaco retractable bollards are the fruit of over 20 years of experience and is made up of just three elements: shell, cover and bollard head, each cast into one piece, made of nodular cast iron, free of any easy to wear down parts, featuring a Monobloc® Urbaco patent.

The Cylinder model

Thanks to its sombre, neutral design and to its entirely smooth surface, the Cylinder model is perfect for any setting, regardless of the architectural and urban contexts.



CYLINDER MODEL			Pneumatic	
Diameter	Height above ground mm	Weight	Code	Lost casing code
250	500	113 kg	BPCLPF50	BOCOFF671
200	500	87 kg	BPCLPE50	BOCOFE664
120	500	54 kg	BPCLPD50	BOCOFD667



Surface finishing and colour

Zinc is the main standard coating, oven heated to 190° to increase its resistance to rust and provide better grip for the finish, which consists of matt thermo-heating polyester powder, in standard (RAL7016) grey

Signalling

Visible class II luminous band

Material

11 mm thick nodular cast iron

Bollard Body

Cast into one block, it has a built in castor and is designed to roll without wear and tear, thus eliminating any maintenance and adjustments. Made of nodular 11 mm thick cast iron which provides great endurance.

Cover

It evenly spreads any energy from collisions with the bollard to contrary components transmitting them to the buried foundation box. A thick plastic ring eases the sliding of the bollard head thus reducing any friction and noise.

Electro-pneumatic motor

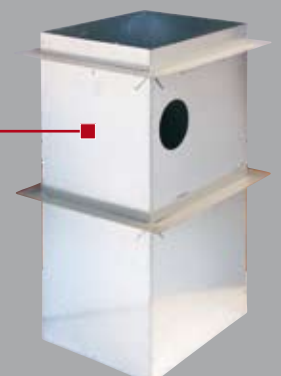
Dependability, simplicity and endurance over time. The motor power comes from low pressure compressed air (more than one bollard can be connected up to a single technical centre, with unlimited distance between the bollards and the station).

Casing

It is 24mm thick, and comes with 4 guides and a built-in Monobloc bar which holds fast a hydraulic or pneumatic ram. This guarantees that the guides will remain parallel and will not deform.

Folding foundation box

Urbaco's new folding foundation box is supplied already folded, it features a 1.5 mm thick galvanised head. This saves a lot of space and makes for easy stocking. It is indispensable for easy installation and mounting.



Management system, see p. 12

G6 Mechanical retractable bollards

Châteauneuf Model

The retractable bollards are specifically intended to manage accesses to public or private areas. They come in two versions: BEA (Automatic Retractable Bollards) and BEM (Mechanical Retractable Bollards). The BEM model is activated using a key that releases the mechanism. Pressure exerted onto the bollard head makes it retract into the ground; the below-ground locking is automatic. Then, by turning the key, the bollard, the bollard comes back up and locks into the up position.

Génération 6

The sixth Génération of Urbaco retractable bollards are the fruit of over 20 years of experience and is made up of just three elements: shell, cover and bollard head, each cast into one piece, made of nodular cast iron, free of any easy to wear down parts, featuring a Monobloc® Urbaco patent.



CHÂTEAUNEUF MODEL			Pneumatic	
Diameter	Height above ground mm	Weight	Code	Lost casing code
250	500	119 kg	BMCHPF50	BOCOFF671
200	500	83 kg	BMCHPE50	BOCOFE654
120	500	55 kg	BMCHPD50	BOCOFD667

Surface finishing

Zinc is the main standard coating, oven heated to 190° to increase its resistance to rust and provide better grip for the finish, which consists of matt thermo-heating polyester powder, in standard (RAL7016) grey

Optional reflective tape

Visible class II luminous band

Models

11 mm thick cast iron, for the Châteauneuf model.
 - 3 diameters: 120 mm, 200 mm, 250 mm
 - 1 height: 500 mm

Bollard Body

Cast into one block, it has a built in castor and is designed to roll without wear and tear, thus eliminating any maintenance and adjustments. Made of nodular 11 mm thick cast iron which provides great endurance

Cover

It evenly spreads any energy from collisions with the bollard to contrary components transmitting them to the buried foundation box. A thick plastic ring eases the sliding of the bollard head thus reducing any friction and noise

Bronze trap door

Provides protection for the key insertion system

Inox blocking bar

Comes in several models

Casing

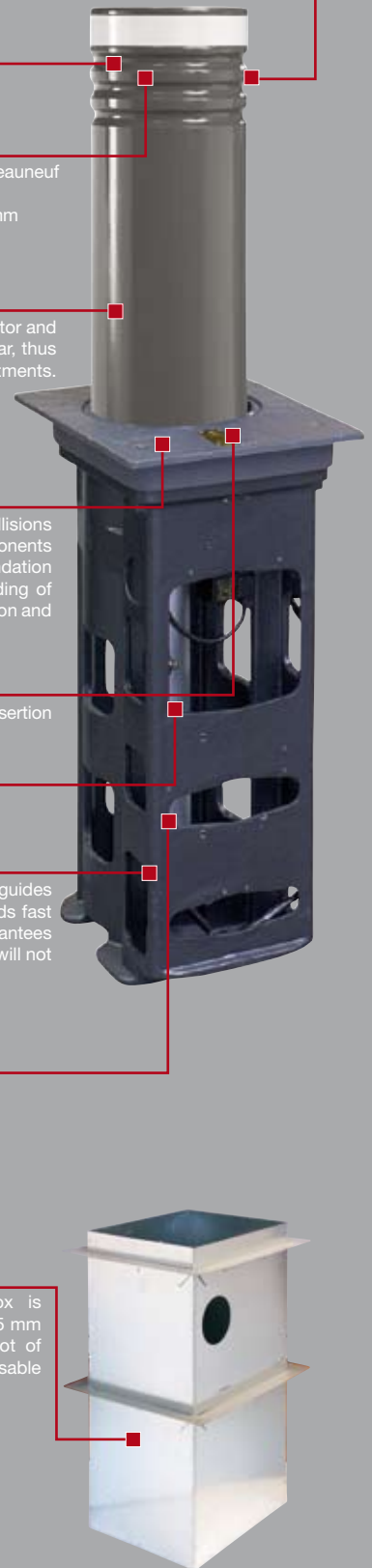
It is 24mm thick, and comes with 4 guides and a built-in Monobloc bar which holds fast a hydraulic or pneumatic ram. This guarantees that the guides will remain parallel and will not deform

Gas spring

Allows the bollard to rise back up after the mechanism is unlocked with the key

Folding lost casing

Urbaco's new folding foundation box is supplied already folded, it features a 1.5 mm thick galvanised head. This saves a lot of space and easy stocking. It is indispensable for easy installation and mounting



G6 Mechanical retractable bollards

Cylinder model

The retractable bollards are specifically intended to manage accesses to public or private areas. The BEM model is activated using a key that releases the mechanism. Pressure exerted onto the bollard head makes it retract into the ground; the below-ground locking is automatic. Then, by turning the key, the bollard, the bollard comes back up again and locks into the up position.

Génération 6

The sixth generation of Urbaco retractable bollards are the fruit of over 20 years of experience and is made up of just three elements: shell, cover and bollard head, each cast into one piece, made of nodular cast iron, free of any easy to wear down parts, featuring a Monobloc® Urbaco patent.

The Cylinder model

Thanks to its sombre, neutral design and to its entirely smooth surface, the Cylinder model is perfect for any setting, regardless of the architectural and urban contexts.



1 - UNLOCK 2 - PUSH 3 - RELEASE

CYLINDER MODEL			Pneumatic	
Diameter	Height above ground mm	Weight	Code	Lost casing code
250	500	119 kg	BMCLPF50	BOCOFF671
200	500	83 kg	BMCLPE50	BOCOFE664
120	500	55 kg	BMCLPD50	BOCOFD667

Surface finishing and colour

Zinc is the main standard coating, oven heated to 190° to increase its resistance to rust and provide better grip for the finish, which consists of matt thermo-heating polyester powder, in standard (RAL7016) grey

Signalling

Visible class II luminous band

Material

11 mm thick nodular cast iron

Bollard Body

Cast into one block, it has a built in castor and is designed to roll without wear and tear, thus eliminating any maintenance and adjustments. Made of nodular 11 mm thick cast iron which provides great endurance.

Cover

It evenly spreads any energy from collisions with the bollard to contrary components transmitting them to the buried foundation box. A thick plastic ring eases the sliding of the bollard head thus reducing any friction and noise.

Bronze trap door

Provides protection for the key insertion system.

Inox blocking bar

Comes in several models

Casing

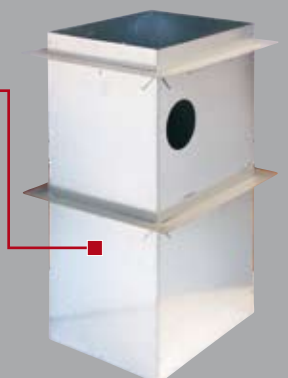
It is 24mm thick, and comes with 4 guides and a built-in Monobloc bar which holds fast a hydraulic or pneumatic ram. This guarantees that the guides will remain parallel and will not deform.

Gas spring

Allows the bollard to rise back up after the mechanism is unlocked with the key

Folding lost casing

Urbaco's new folding lost casing is supplied already folded, it features a 1.5 mm thick galvanised head. This saves a lot of space and easy stocking. It is indispensable for easy installation and mounting.



Management system, see p. 12

G6 fixed and removable bollards

Châteauneuf / Cylinder model

Fixed bollards and posts are used in both public and private areas limit transit, parking spaces or, simply to protect areas where transit is not allowed. Urbaco uses cast iron and stainless steel to make these products. Removable bollards are the simple, effective way to limit low volumes of access flows on a limited budget. Whilst in shape and size they are the same as the automatic or mechanical bollards, removable bollards let you easily coordinate any aesthetical aspects at hand. And this is true for managing access flows in both public and private areas. The 120 diameter Châteauneuf version is also available with a rounded head, which softens the bollard's square features.

Châteauneuf flat head Châteauneuf rounded head Cylinder



Fixed bollard Removable bollard Fixed bollard



1 - UNLOCK 2 - PUSH 3 - RELEASE

FIXATOR		
	Weight	Code
Fixator with T11 lock	8 kg	BOFIXP11S
Lock-free Fixator	5 kg	BOFIXCS
Fixator cover	2 kg	BOFIXCOF

Material

11 mm thick nodular cast iron

Surface finishing and colour

The main standard finishing is zinc, which is oven baked at 190° to increase its resistance to corrosion and to give better adherence to the last coat which is in thermo hardening polyester powder varnish with a matt finish. The standard colour is (RAL 7016) dark grey.



The FIXATOR system is an Urbaco patent, and enables manual release of a removable bollard. After having removed it, the cover frees the passage way by covering the hole on the ground. Fixator is secured to the ground using cement. It's collision resistance depends on the quality and dimensions of the anchoring

CHÂTEAUNEUF FLAT HEAD			Fixed	Removable
Diameter	Height above ground mm	Weight	Code	Code
250	500	53 kg	BSCHPF50G	BACHPF50G
200	500	32 kg	BSCHPE50G	BACHPE50G
120	500	17 kg	BSCHPD50F	BACHPD50G
120	750	24 kg	BSCHPD75F	-

CHÂTEAUNEUF ROUNDED HEAD			Fixed	Removable
Diameter	Height above ground mm	Weight	Code	Code
120	550	18 kg	BSCHTD55F	BACHTD55F
120	750	22 kg	BSCHTD75F	BACHTD75F

CYLINDER MODEL			Fixed	Removable
Diameter	Height above ground mm	Weight	Code	Code
250	500	46 kg	BSCLPF50G	BACLPF50G
250	750	68 kg	BSCLPF75G	-
200	500	33 kg	BSCLPE50G	BACLPE50G
200	750	47 kg	BSCLPE75G	-
120	500	18 kg	BSCLPD50G	BACLPD50G
120	750	26 kg	BSCLPD75G	BACLPD75G

Fixed and removable bollards

Arlésienne model

Fixed bollards are used in private and public areas to limit transit, parking or, simply to protect areas where transit is not allowed.

Urbaco products are made of cast iron, steel and stainless steel.

Removable bollards are a simple and effective solution to manage low frequency accesses.

Architects prefer this type of bollard due to its traditional yet always current design.

Urbaco's Arlésienne bollard, can be used with or without a chain.



1 - UNLOCK



2 - TURN



3 - RELEASE

FIXATOR		
	Weight	Code
Fixator with T11 lock	8 kg	BOFIXP11S
Lock-free Fixator	5 kg	BOFIXCS
Fixator cover	2 kg	BOFIXCOF

Models

There are 2 different models: made of grey, 11 mm thick nodular cast iron.

- 2 diameters: 180 mm, 240 mm

- 2 height: 600 mm, 700 mm

Surface finishing

The main standard coating consists of matt thermo-heating polyester powder, in standard (RAL7016) grey



The FIXATOR system is an Urbaco patent, and enables manual release of a removable bollard. After having removed it, the cover frees the passage way by covering the hole on the ground. Fixator is secured to the ground using cement. It's collision resistance depends on the quality and dimensions of the anchoring

ARLESIENNE MODEL			Fixed	Removable
Diameter	Height above ground mm	Weight	Code	Code
240	700	32 kg	BSALSE70F	BAALSE70F
180	600	24 kg	BSALSD60F	BAALSD60F

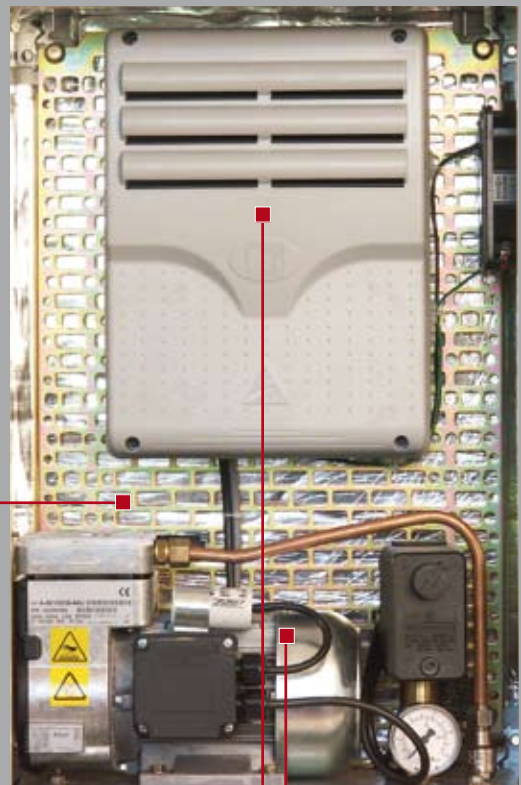
Micro Technical Center

The standard technical micro-station for frequent use is a management system that receives instructions from a user. The command accessories can be connected up or hooked up to the City 1 or City 2 control terminal. The system can manage the operation of 1 or 2 accesses (an opening or closing order is sent depending on the set parameters) and provides the energy required to operate the bollards (pneumatic compressor).



Micro technical center casing

Protection rating:	IP44
Power source:	230V mono, 16A + ground
Absorption:	about 2,6 A
Power:	about 500W
Available power:	0
Duty cycle:	100%
Temperature:	-10°C + 55°C
Ventilation:	220V forced
Steel sheeting thickness:	1,5 mm
Dimensions:	600 mm x 400 mm x 250 mm
Insulation:	class 2 acoustic and thermal
Closing:	standard key lock
Wall mounting:	fitted to be wall mounted
Standard colour:	beige 7015



Internal devices:

- U200 Card
 - Urbaco end point management,
 - magnetic coil management,
 - compressor monitoring,
 - managing the dry contact command devices.
- Heating system for bollard (optional)

Frequent use micro-compressor

For maintenance-free frequently employed electro-pneumatic motor power

This system can manage negative safety

MICRO TECHNICAL CENTER	
MCT STANDARD (without command devices)	Code
A U200 card access without detection	CCE011PU
OPERATING LOGIC (with detection)	
Controlled entry or exit	COU200EOSC
Controlled entry and exit	COU200EOSC
Automatic entry and exit	COU200ECSA
Automatic exit	COU200SA

MICRO TECHNICAL CENTER	
BUILT-IN COMMAND DEVICES	Code
Built-in AF43AS Radio Receiver (unlimited number of transmitters)	COAF43S
Built-in AF43S Radio Receiver (25 rolling code transmitters)	COAF43SR
Built-in RE432 Radio Receiver	CORE432
Built-in RBE4RC Radio Receiver	CORBE4RC
OPTION	
Second access without command devices for U200 card	COU2002A

Urbaco quality

Our clients' requirements push us to constantly test and comply with the legal codes and quality standards our products are known for. Quality is a constant priority at Urbaco. That is why we are committed to an in-house safety and environmental quality program.

Compliance with directives

Urbaco retractable bollards and energy supply units dispensing columns comply with the requirements of EEC directive 73/23.



Certificate of Compliance

Numerous product tests:

- The Judiciary Office duration test approval. The test is made on 2 bollards, and carried out non-stop for 24 hours, 4,500,000 up and down cycles have yielded no malfunctions
- collision resistance tests are done on retractable bollards by the Paris City Street Testing Laboratory: Urbaco bollards are rated to resist between 2,500 and 15,000 joules depending on the models

Product testing

Crash test

- collision resistance testing performed in 2005 on Generation 6 automatic retractable bollards. A (diameter of 250 mm, height 500 mm) bollard withstands a 1.2 ton vehicle collision at a speed of 50 km/h and a (250 mm diameter, 750 mm height) bollard withstands a 2.5 ton vehicle collision at a speed of 55 km/h



New brochure for the High Security model: Automatic retractable bollards for stronger control of access flows. Made to guarantee security at key access points and to withstand the force of ramming vehicles, these bollards meet the highest levels of requirements as far as access point control and impact force resistance.

Sales materials



It is tank to marketing that your business and turnover can reach better results: Urbaco has come up with a merchandising cata-list in which you can find pictures and codes of all the sales materials available, such as catalogues, posters, gadgets, etc., to help you in your work.

Retractable bollards



Removable posts and bollards



Fixed posts and bollards



Access control units



Energy supply units



Urban furnishing



The Urbaco Range

Urbaco is a world leader in the access control market thanks to its retractable bollards. The firm is continuously developing to meet the numerous and prestigious orders worldwide. It delivers quality certified guaranteed technology. Besides its global products, systems and solutions, Urbaco, along with its partners and collaborators, is committed to further developing its range of services (including research and development, after sales service and maintenance) and best honour the trust its clients have placed in the firm.



URBACO

ZA du Couquiou
84320 ENTRAIGUES - France
Tél : +33 (0) 490480808
Fax : +33 (0) 490480088
www.urbaco.com - urbaco@urbaco.fr