

# RotaTech - HH

## Half-Height Manual Security Turnstile

### Drive

Hand-operated, Bidirectional

### Materials

Casework:

- 304 Stainless steel (Brushed finish)

Rotor Wings:

- 304 Stainless steel (Brushed finish)

Rotor Spindle

- 304 Stainless steel (Brushed finish)

### Mechanism

- Turnstiles are locked into position by solenoids rated for continuous operation.  
The arms are released for one rotation of 90 degrees (movement to allow one pedestrian entry/exit) by activation signal from a number of sources, e.g. code cards, push buttons, coins, key, computer etc.
- The turnstile arm spacing is designed to ensure a single entry/exit per legitimate activation signal.
- Internal mechanisms return the rotating arms to the locked position after each rotation.

### Power Failure / Fire Alarm

In the event of an emergency or isolation of power supply, unit may be configured to fail-safe i.e. rotor freely rotates or fail-lock i.e. rotor locks. Either option is available in both or one direction. Choice must be denoted at time of order placement.

**Note** - Head mechanism fail state will be the same as power failure choice. If not specified, RotaTech HH will be delivered fail safe exit and fail lock entry.

### Interface

TL400 PLC

- One (OV) input provided for Access Control Device interface for Entry direction control  
One (OV) input provided for Access Control Device interface for Exit direction control
- One (OV) Latching input for Access Control Device interface controlling simultaneous Entry & Exit direction override; (FACP)
- Two (OV) Outputs for counting Rotation Confirmation in both Entry & Exit Directions
- Mechanical Key-switch override for Opening/Locking each individual direction



#### PRODUCT DESCRIPTION

Half-Height Turnstiles are designed for high traffic areas. They are ideal for controlling movement and establishing a line of defence inside or outside a building.

#### APPLICATIONS

- Recreational areas
- Public Buildings
- Low security industrial installations

# RotaTech HH

---

## TECHNICAL DATA

Dimensions	See detail on next page
Power Supply	230 Vac 50Hz or 110v 50 Hz
Power Rating	50 V/A 35 Watts
Logic Voltage:	24 Volts DC
Operating Temperature	0 to +45 °C (RH 95% not condensing)
IP Rating	IP34
Flow Rates (approx)	
Reader Device	Number per minute
Insertion type	12
Insertion type with PIN code keypad	7.5
Swipe type	15
Swipe type with PIN code keypad	8.5
Proximity "Hands Free"	17

## MODEL AVAILABLE

- RotaTech HH 4 Arm Single Turnstile, stainless steel finish

## OPTIONS

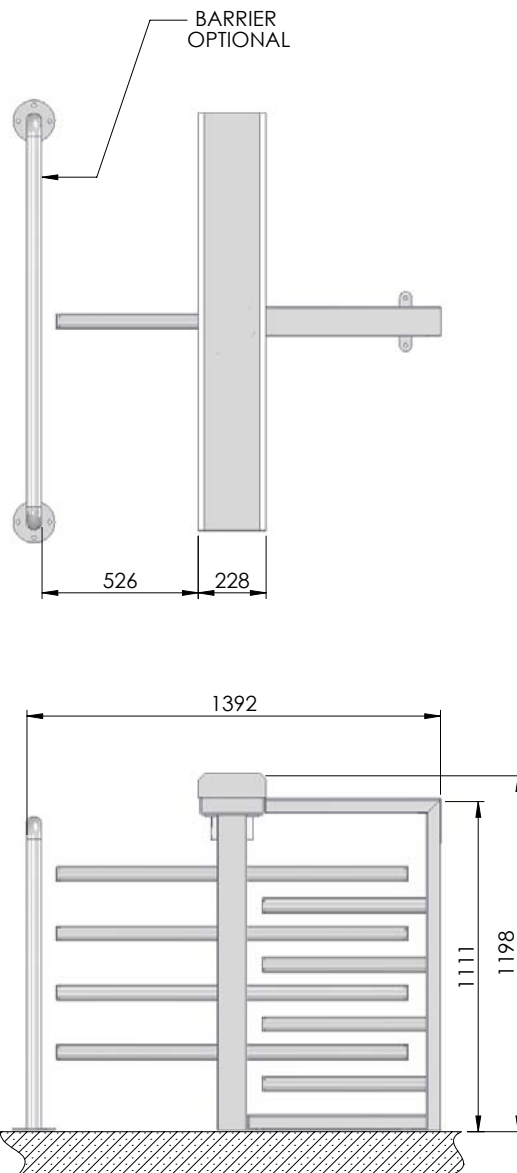
- Surface mounted card reader drillings
- Terminal Hand Rail

# RotaTech - HH

## SITE PREPARATION

Product delivered as sub-assemblies and may require lifting equipment  
Approx. weight: 98kg  
(For installation details, please refer to the operational manual)

## Half-Height Product Dimensions



Concrete Base to specification at least fck (cube) 300N/mm<sup>2</sup> of resistance.  
Base to be flat and level to +/- 5mm over footprint area. Dimensions to be  
> 1443 x 1343 x 150 deep min (units in mm)

# RotaTech- HH

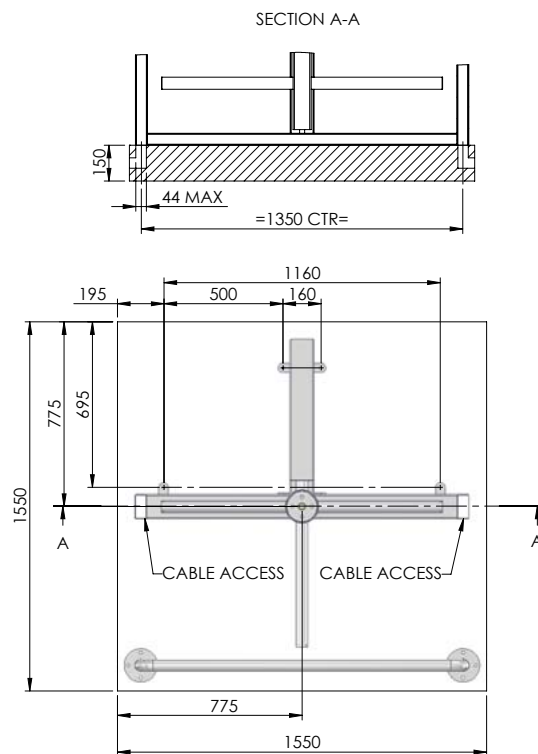
## IMPORTANT

Any horizontal pipe or conduit running below the "TURNSTILE" must be at least 140mm below FFL

The dimensions given in this Product Data Sheet are for information only. In order to prepare the installation site, please refer to the installation manual or ask confirmation

Metal conduit for cables should be raised at least 50mm from foundation

It is the customer's responsibility to ensure the structural integrity and strength of the installation location



For further information, please contact:

Business Area Entrance Control  
c/o Gunnebo Entrance Control Ltd  
Tel: +44 1825 761 022  
Fax: +44 1825 763 835  
Email: [info.entrancecontrol@gunnebo.com](mailto:info.entrancecontrol@gunnebo.com)

Note: In pursuit of its policy of continuous refinement and improvement, Business Area Entrance Control reserves the right to modify design and details at any time and without notice.