



Normal entry	Anti-panic system
	<p>Emergency exit (push gate to open).</p>
<p><b>Safety</b>            Anti-panic gate release device: in an emergency, the swing gate can be pushed open in both directions. This action, which requires a force of approximately 12 kg, activates an audible alarm and disconnects the power supply to the motor. The alarm is silenced only when the gate is returned to its normal position.            Safety clutch: stops gate movement on encountering an obstacle.</p>	

**Pass-O-Mat**

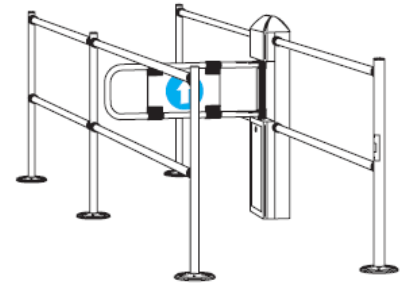
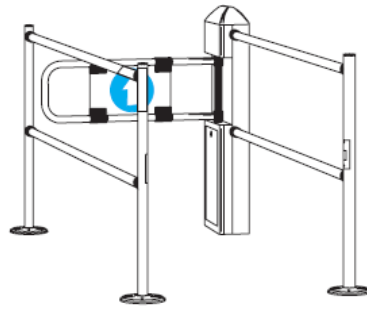
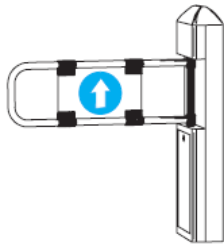
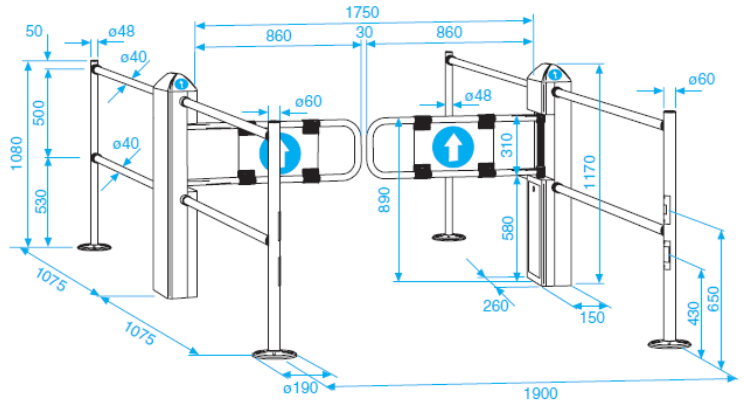
**CØ - C1 - C2 Series**

**Technical characteristics**

Power supply: 220/240VAC/50Hz • Adjustable opening time  
 • Audible alarm activated on opening of anti-panic device  
 • Modulated infra red photocells, positioned in special post at entrance to passageway • Surface reflection sensor (Radar series), positioned inside motor column • Barrier diameter: 40 x 1.5 mm. • Post diameter: 48 x 2 and 60 x 2 mm. • Standard opening (net): 90 cm.; Maximum opening obtainable on request: 120 cm..

**Options**

Model CØ - supplied complete with remote control panel.  
 Model CØ double - a cable duct should be installed for interconnection of motor columns.



**Model: CØ rh**  
Stainless steel

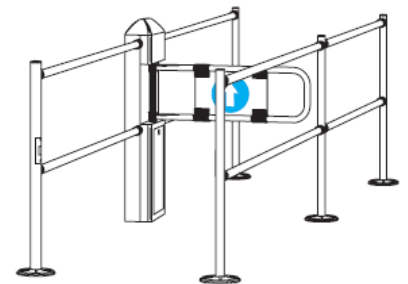
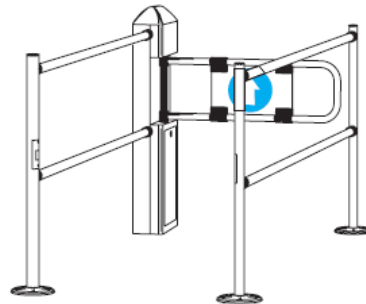
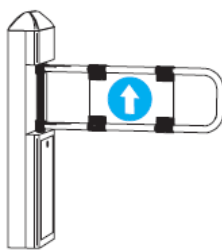
200-GAO

**Model: C1 rh**  
Stainless steel  
Chromium plated and stainless steel

210-GAO  
210-AAO

**Model: C2 rh**  
Stainless steel  
Chromium plated and stainless steel

220-GAO  
220-AAO



**Model: CØ lh**  
Stainless steel

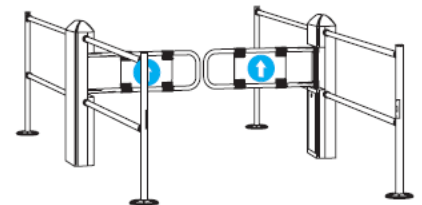
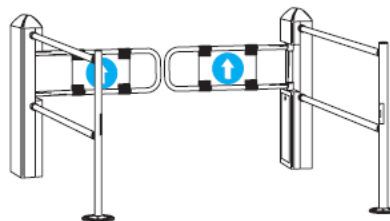
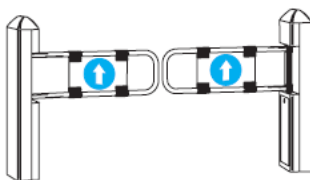
200-GHO

**Model: C1 lh**  
Stainless steel  
Chromium plated and stainless steel

210-GHO  
210-AHO

**Model: C2 lh**  
Stainless steel  
Chromium plated and stainless steel

220-GHO  
220-AHO



**Model: CØ double**  
Stainless steel

200-GLO

**Model: C1 double**  
Stainless steel  
Chromium plated and stainless steel

210-GLO  
210-ALO

**Model: C2 double**  
Stainless steel  
Chromium plated and stainless steel

220-GLO  
220-ALO