

DORMA Studio-Classic

DORMA Studio-Classic internal door fittings harmonise perfectly in functional settings. Their simple narrow design emphasises the feeling of space given by toughened glass doors.

Door dimensions

- Glass thickness: 8 mm
- Door weight: max. 45 kg
- Door width: max. 1000 mm
- Frame depth, Standard: 24 mm

Materials and finishes

Aluminium, anodised

- Silver, LM EV1, CO (101)
- Dark bronze, LM DB14, MC1003, C34 (108)
- Brass, LM EV3 (105)
- Special anodised finish, SE (199)

Aluminium, coated

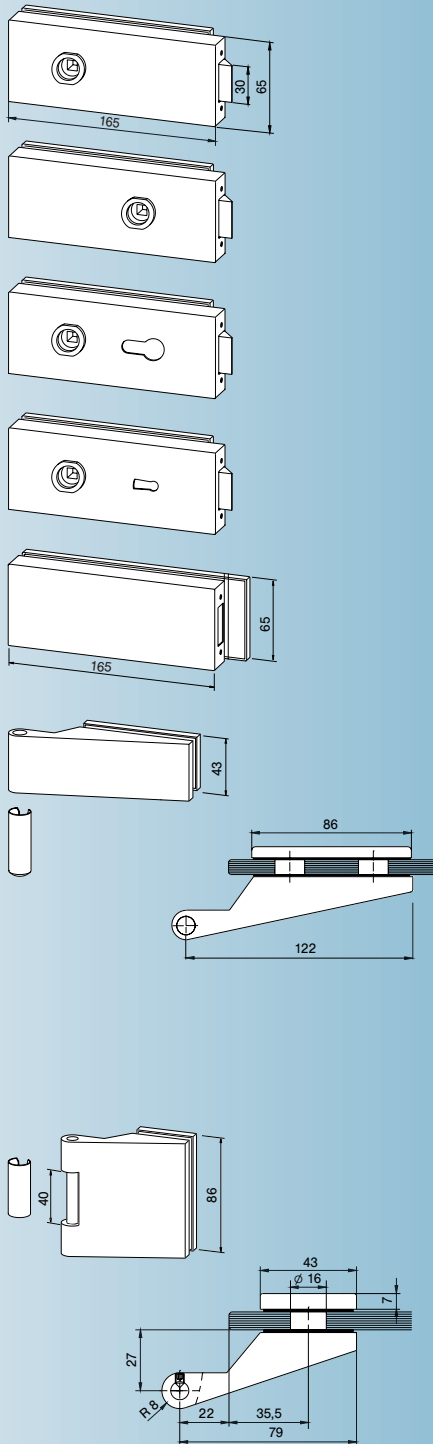
- White, RAL 9016 (300)
- Special colours, SF (399)



 STUDRON

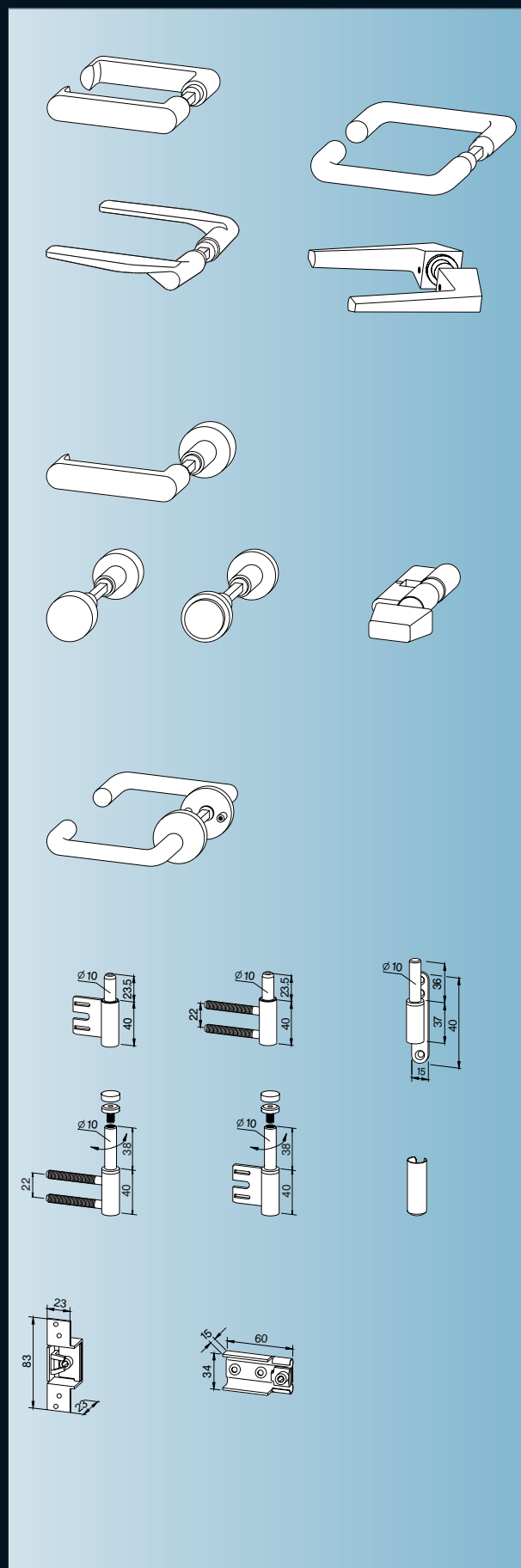


DORMA Studio-Classic



Locks and latches	With lever guide	For levers with roses
Non-locking	10.001	10.040
For lever front, non-locking	10.002	10.041
Prepared for Europrofile cylinder, with night latch function	10.003	10.042
Warded lever lock with night latch function, 2 keys	10.004	10.043
Strike box for double doors	10.005	10.005
Hinges	Glass thickness 8 mm/10 mm	
For frame pivots with sleeve	10.021/10.020	
With frame pivot for aluminium frame	11.289	max. 60 kg door weight
With frame pivot for timber frame	11.290	max. 60 kg door weight
With frame pivot for 120 mm type frame pocket	11.293	

Levers and frame pivots, Page 3.10



Door lever sets for locks with lever guide

- With flat hand part 10.314
- Tubular design, aluminium 10.301
- Polyamide (nylon) coated steel 10.303
- With cantilevered hand part 10.300
- With angular hand part 10.010

Lever and knob set, lever with flat hand part, fixed knob, for use with night latch function locks 10.304

Set of knobs, turn knob, flat 10.305

Set of knobs, turn knob with beading 10.306

Thumbturn cylinder 10.310

Door lever sets with roses

- Tubular design, aluminium 10.307
- Polyamide (nylon) coated steel 10.312

Frame pivots

for steel frames, plastic coated pivot pin 10.400

for timber frame, plastic coated pivot pin 10.404

Screw-on frame pivot, plastic coated pivot pin 10.407

Riser with threaded spindle for timber frame 10.416/10.417*

Riser with threaded spindle for steel frame 10.418/10.419*

Push-on sleeve for 10.408

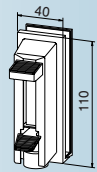
10.400, 10.404, 10.407

Frame pocket for steel frame 10.406

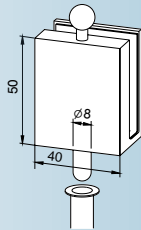
Frame pocket for timber frame 10.405

*LH/RH

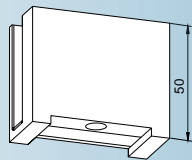
Accessories for Studio-Rondo, Studio-Classic, Studio-Gala



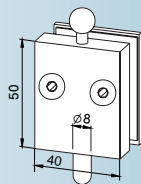
Push-on telescopic door hold-open,
8, 10 and 12 mm glass thicknesses **12.320**



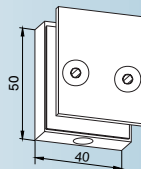
Slide over door bolt
with floor socket
8 mm glass thickness **12.301**
10 mm glass thickness **12.302**



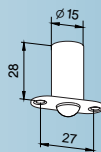
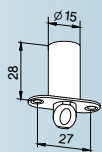
Slide over strike box **12.314**



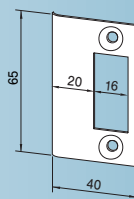
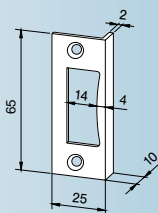
Door bolt on glass cut-out **12.312**
8 mm glass thickness



Strike box on glass cut-out **12.313**
8 mm glass thickness



Door catch
Plastic **12.300**
with round bolt **12.305**



Corner strike plate **10.401**
for 24 mm rebate depth

Strike plate
for 40 mm rebate depth
Steel **10.085.001.40**
Brass **10.085.002.40**